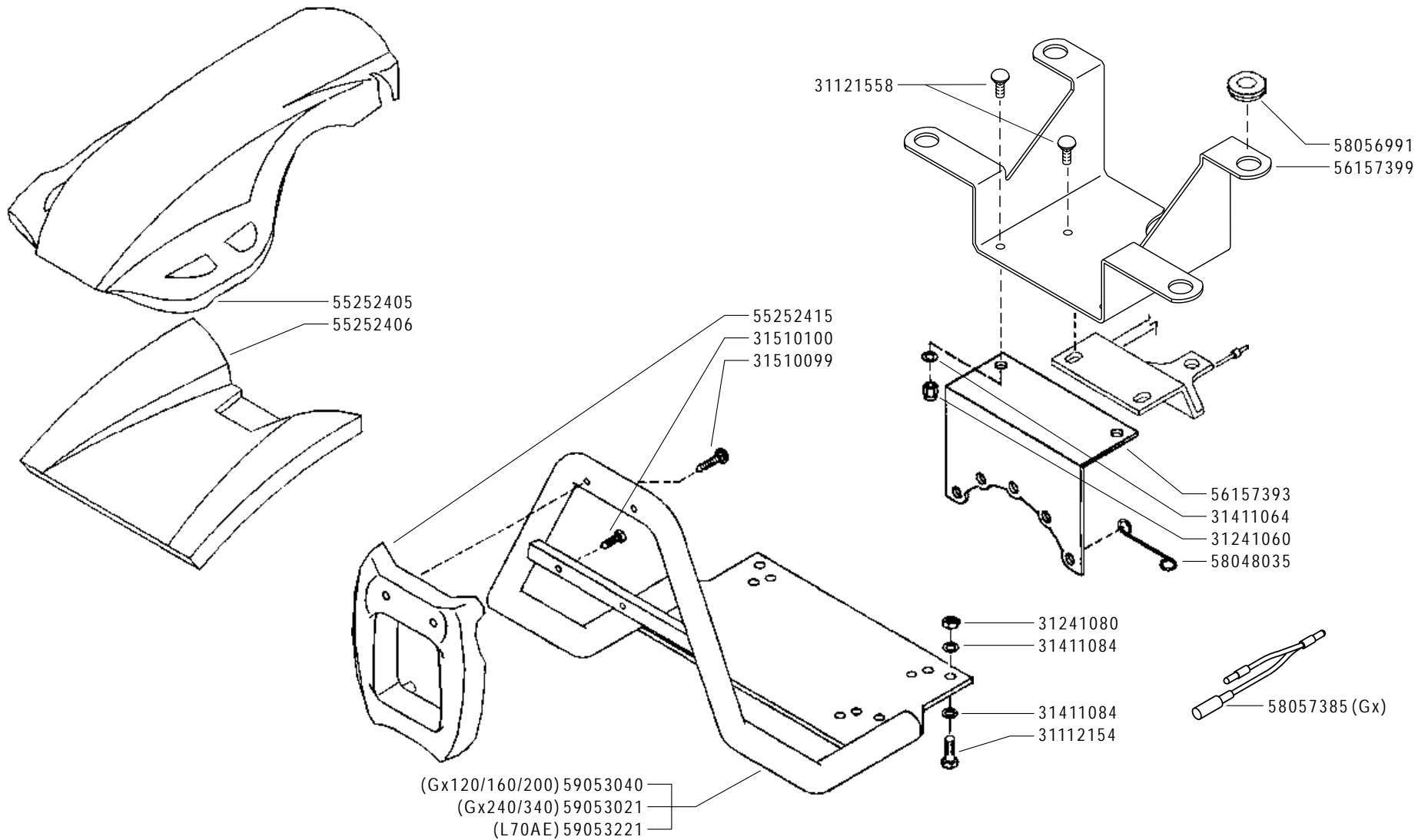


Inhoudsopgave

Bumper & Motorkapjes	3
Drijfwerk Huis	13
Index	47
Koppeling	7
PTO & Tandwielen	15
PTO & Tandwielen	45
Schakelpoken	29
Stickers	37
Stuurboom	19
Stuur & Kabels	21
Wielas	17
Wielen & Gewichten	33

Code	Description	Notes
C01_0_27103	ENGINE PROTECTIONS	
C01_1_60543	ENGINE PROTECTIONS	
D01_0_27123	CLUTCH	
D01_1_33518	CLUTCH	
D01_2_60564	CLUTCH	
E01_0_27146	GEARBOX	
F01_0_27176	GEARS	
G01_0_27251	WHEEL AXLE	
H01_0_27294	STEERING COLUMN	
I01_0_27345	HANDLEBAR	
I01_1_60774	HANDLEBAR	
J01_0_27436	CONTROLS	
K01_0_27513	WHEELS	
K01_1_60913	WHEELS	
M01_0_27555	STICKERS	
M01_1_60965	STICKERS	
M02_0_27566	STICKERS	
M02_1_60983	STICKERS	
F.01.02.A0027_01	GEARS	



PROTEZIONI MOTORE

FERRARI

300 TRENDY

ENGINE PROTECTIONS
PROTECCIONES MOTOR

PROTECTIONS MOTEUR
MOTORSCHUTZ

DALLA MACCHINA
FROM THE MACHINE
DE LA MACHINE
DE LA MAQUINA
AB DER MASCHINE

N.

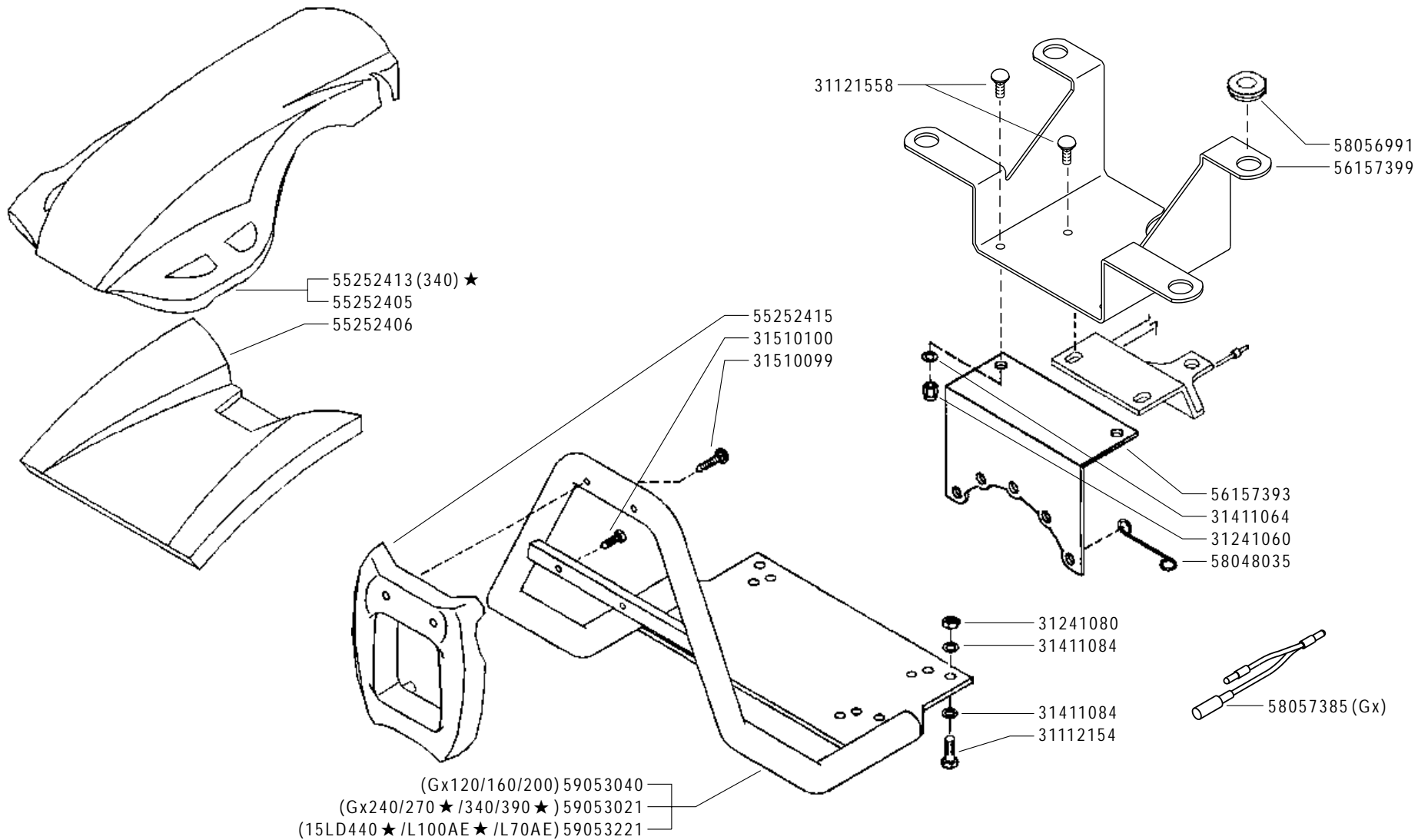
C01 0

Rev.

11/2006

ZENNE

Pos.	Code	Q.ty	Description	Notes
31112154	31112154	1	SCREW TE M8X40 UNI 5739 8G	
31121558	31121558	1	SCREW TTQ M6X16 UNI 5731	
31241060	31241060	1	SELFLOCK NUT M6	
31241080	31241080	1	SELFLOCK NUT M8	
31411064	31411064	1	WASHER 6,4x12,5	
31411084	31411084	1	WASHER 8,4x17	
31510099	31510099	1	RIBBED SCREW 6,3X38 UNI 6950	
31510100	31510100	1	RIBBED SCREW 6,3X19 UNI 6950	
55252405	55252405	1	GUARD	
55252406	55252406	1	GUARD	
55252415	55252415	1	GUARD	
56157393	56157393	1	HOLDER	
56157399	56157399	1	HOLDER	
58048035	58048035	1	HOLDER	
58056991	58056991	1	CABLE GLAND	
58057385	58057385	1	LINE	
59053021	59053021	1	COMPLETE BUMPERS	
59053040	59053040	1	COMPLETE BUMPERS	
59053221	59053221	1	COMPLETE BUMPERS	



PROTEZIONI MOTORE

ENGINE PROTECTIONS
 PROTECCIONES MOTOR

PROTECTIONS MOTEUR
 MOTORSCHUTZ

DALLA MACCHINA
 FROM THE MACHINE
 DE LA MACHINE
 DE LA MAQUINA
 AB DER MASCHINE

★ N.

AGGIORNAMENTO
REVISION
MISE A JOUR
APLAZAMIENTO
ANPASSUNG

C01 1

10/2008

Rev.

ZENNE

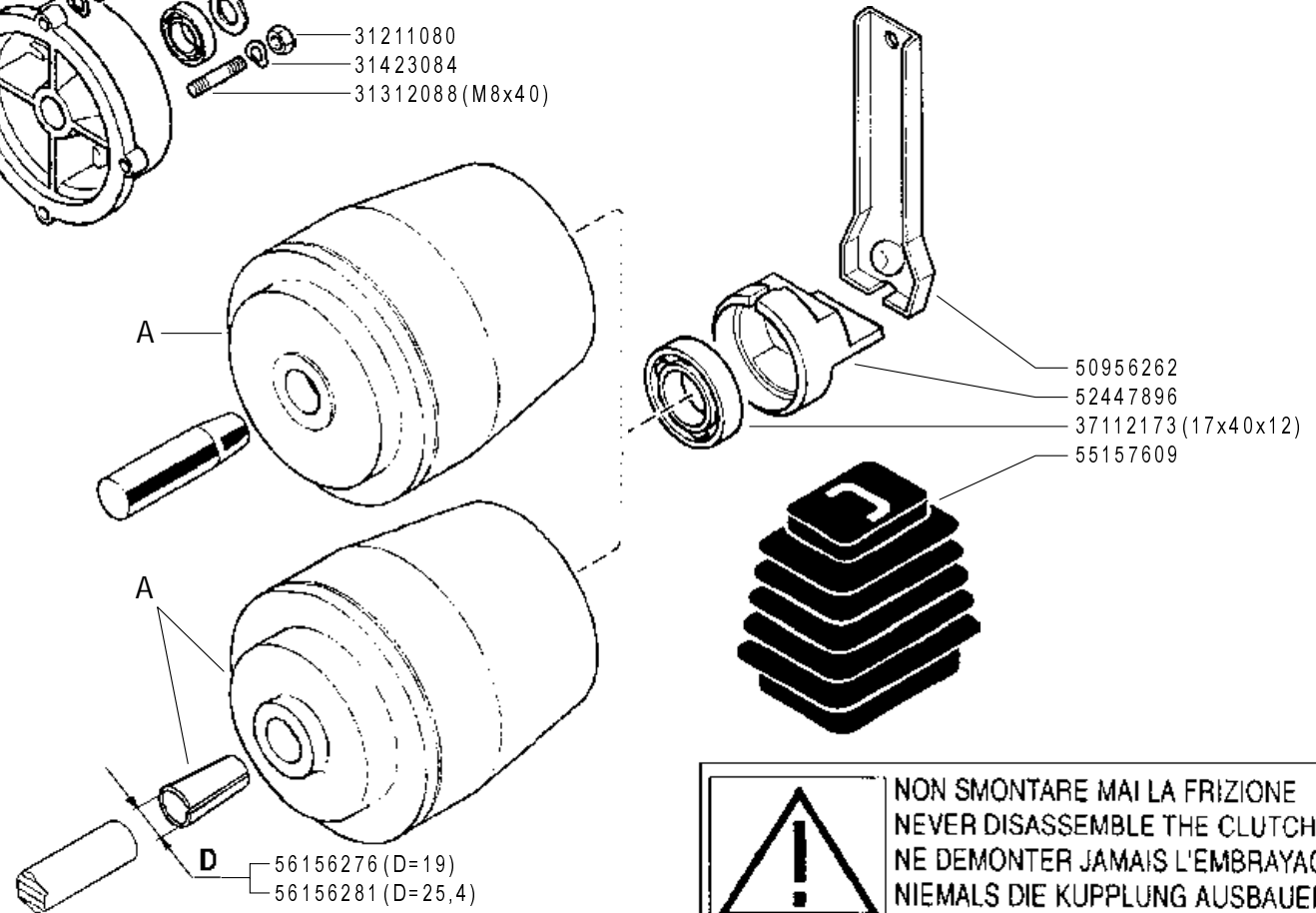
FERRARI


300 TRENDY

Pos.	Code	Q.ty	Description	Notes
31112154	31112154	1	SCREW TE M8X40 UNI 5739 8G	
31121558	31121558	1	SCREW TTQ M6X16 UNI 5731	
31241060	31241060	1	SELFLOCK NUT M6	
31241080	31241080	1	SELFLOCK NUT M8	
31411064	31411064	1	WASHER 6,4x12,5	
31411084	31411084	1	WASHER 8,4x17	
31510099	31510099	1	RIBBED SCREW 6,3X38 UNI 6950	
31510100	31510100	1	RIBBED SCREW 6,3X19 UNI 6950	
55252405	55252405	1	GUARD	
55252406	55252406	1	GUARD	
55252413	55252413	1	GUARD	
55252415	55252415	1	GUARD	
56157393	56157393	1	HOLDER	
56157399	56157399	1	HOLDER	
58048035	58048035	1	HOLDER	
58056991	58056991	1	CABLE GLAND	
58057385	58057385	1	LINE	
59053021	59053021	1	COMPLETE BUMPERS	
59053040	59053040	1	COMPLETE BUMPERS	
59053221	59053221	1	COMPLETE BUMPERS	

(HONDA Gx120/160/200) (5/16x7/8) 31100003
 (HONDA Gx240/340) (3/8x1") 31100015
 HONDA Gx120/160/200 31423084
 31423105
 (HONDA Gx120/160/200) 53247488
 (HONDA Gx240/340) 53156150
 37112231 (20x47x14) (HONDA Gx120/160/200)
 37112233 (30x55x13) (HONDA Gx240/340)
 56347484 (HONDA Gx240/340)
 56356251 (HONDA Gx120/160/200)
 31211080
 31423084
 31312088 (M8x40)

MOTORE ENGINE MOTEUR MOTOR	FRIZIONE EMBRAGUE EMBRAYAGE KUPPLUNG CLUTCH
Honda Gx120/160/200 (D=19)	59256275
Honda Gx240 (D=25,4)	59256279
Honda Gx340 (D=25,4)	59256280
Yanmar L70AE	59247884



 NON SMONTARE MAI LA FRIZIONE
 NEVER DISASSEMBLE THE CLUTCH
 NE DEMONTER JAMAIS L'EMBRAYAGE
 NIEMALS DIE KUPPLUNG AUSBAUEN
 NO DESMONTAR JAMAS EL EMBRAGUE

FERRARI

300 TRENDY

FRIZIONE A CONO AUTOVENTILANTE

CLUTCH
EMBRAGUE

EMBRAYAGE
KUPPLUNG

DALLA MACCHINA
FROM THE MACHINE
DE LA MACHINE
DE LA MAQUINA
AB DER MASCHINE

N.

D01 0

11/2006

Rev.

ZENNE

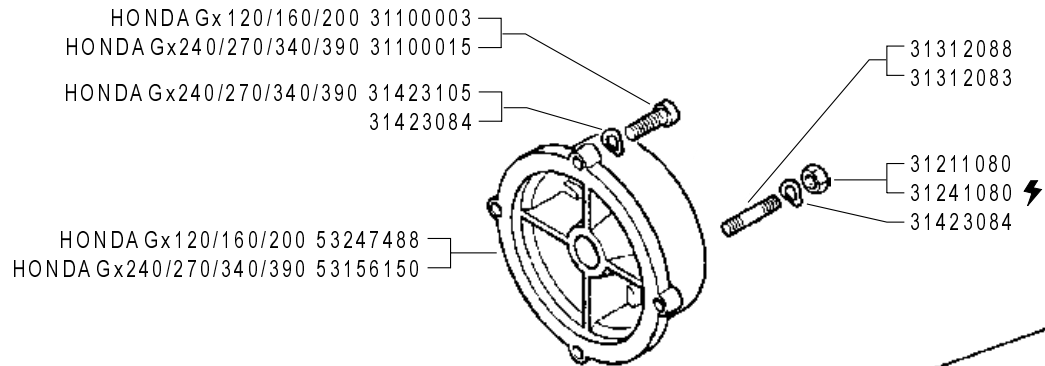
Pos.	Code	Q.ty	Description	Notes
31100003	31100003	1	SCREW TE 5/16X7/8	
31100015	31100015	1	SCREW TE 3/8X1	
31211080	31211080	1	NUT M8	
31312088	31312088	1	STUD BOLT M8X40X14X14	
31423084	31423084	1	SPRING WASHER 8,4	
31423105	31423105	1	SPRING WASHER 10,5	
37112173	37112173	1	BEARING	
37112231	37112231	1	BEARING	
37112233	37112233	1	BEARING	
50956262	50956262	1	CLUTCH LEVER	
52447896	52447896	1	PRESSURE PLATE	
53156150	53156150	1	ENGINE FLANGE	
53247488	53247488	1	ENGINE FLANGE	
55157609	55157609	1	BELLOWS	
56156276	56156276	1	SLEEVE	
56156281	56156281	1	CENTRING BUSH	
56347484	56347484	1	SHIM	
56356251	56356251	1	SHIM D=19,6	
59247884	59247884	1	CLUTCH ASSY	
59256275	59256275	1	CLUTCH ASSY	
59256279	59256279	1	CLUTCH ASSY	
59256280	59256280	1	CLUTCH ASSY	

SERIAL

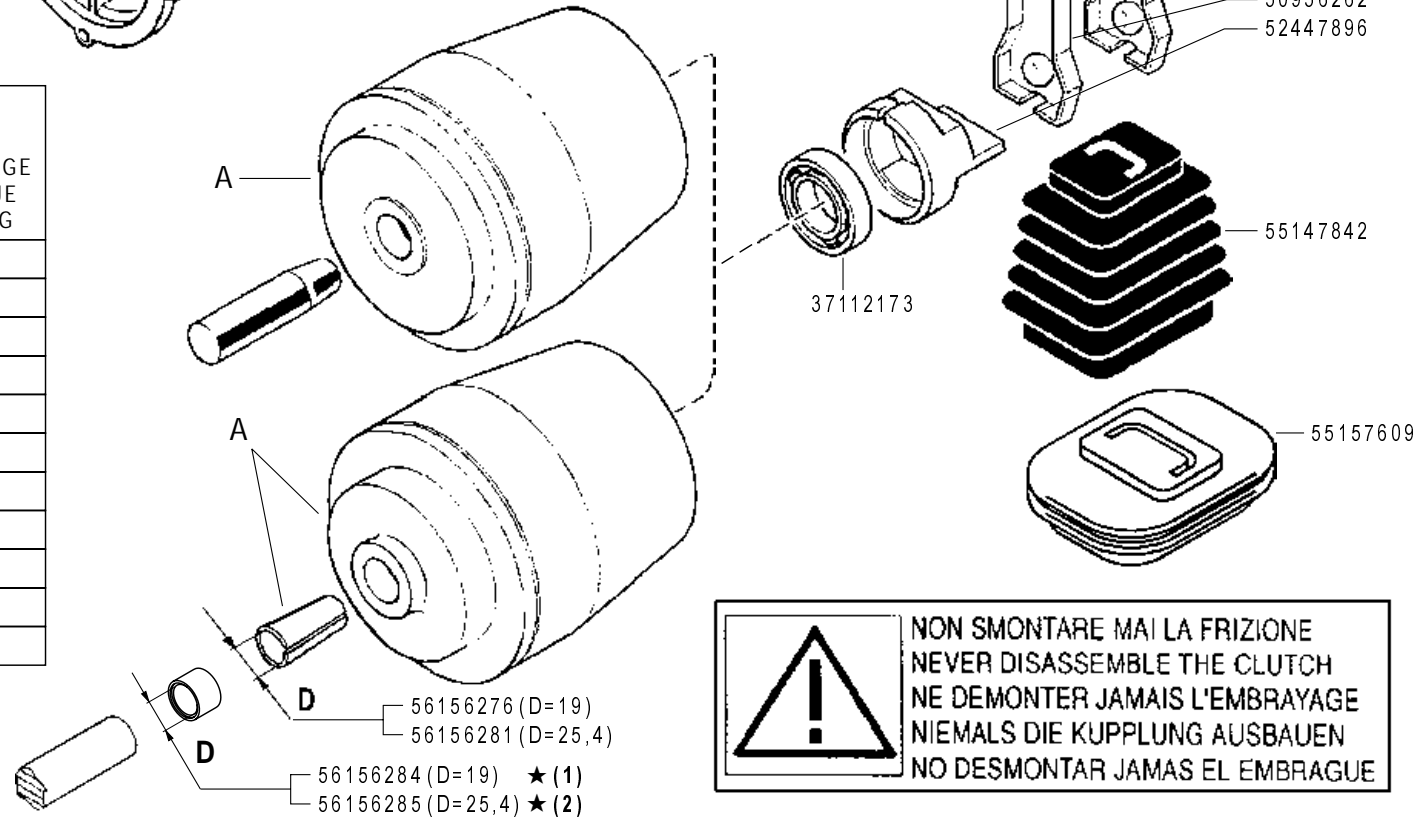
CLUTCH

CODE REV

D01_0_27123



MOTORE ENGINE MOTEUR MOTOR	FRIZIONE CLUTCH A EMBRAYAGE EMBRAGUE KUPPLUNG
Acme A220	59247884
Acme A220 (REF.)	59256255
Acme ACT280 - A349 - A360	59247884
Acme ACT340	59247971
Honda Gx390 - Gx340 D=25,4	59256280
Honda Gx240/270 D=25,4	59256279
Honda Gx120/160/200 D=19	59256275
Lombardini 15LD315/350	59247884
Lombardini 15LD500	59247924
Yanmar L100AE	59247971
Yanmar L70AE	59247884



**! NON SMONTARE MAI LA FRIZIONE
NEVER DISASSEMBLE THE CLUTCH
NE DEMONTER JAMAIS L'EMBRAYAGE
NIEMALS DIE KUPPLUNG AUSBAUEN
NO DESMONTAR JAMAS EL EMBRAGUE**

FERRARI **300 TRENDY**

FRIZIONE A CONO AUTOVENTILANTE
CLUTCH
EMBRAGUE
EMBAYAGE
KUPPLUNG

DALLA MACCHINA
FROM THE MACHINE
DE LA MACHINE
DE LA MAQUINA
AB DER MASCHINE

★ N.

(2) 779519
(1) 779324

Rev. **D01** **1**
11/2006

Pos.	Code	Q.ty	Description	Notes
31100003	31100003	1	SCREW TE 5/16X7/8	
31100015	31100015	1	SCREW TE 3/8X1	
31211080	31211080	1	NUT M8	
31241080	31241080	1	SELFLOCK NUT M8	
31312083	31312083	1	STUD BOLT M8X46X16X16	
31312088	31312088	1	STUD BOLT M8X40X14X14	
31423084	31423084	1	SPRING WASHER 8,4	
31423105	31423105	1	SPRING WASHER 10,5	
37112173	37112173	1	BEARING	
50956262	50956262	1	CLUTCH LEVER	
52447896	52447896	1	PRESSURE PLATE	
53156150	53156150	1	ENGINE FLANGE	
53247488	53247488	1	ENGINE FLANGE	
55147842	55147842	1	BELLOWS	
55157609	55157609	1	BELLOWS	
56147845	56147845	1	CLUTCH LEVER	
56156276	56156276	1	SLEEVE	
56156281	56156281	1	CENTRING BUSH	
56156284	56156284	1	SPACER	
56156285	56156285	1	SPACER	
59247884	59247884	1	CLUTCH ASSY	
59247924	59247924	1	CLUTCH	
59247971	59247971	1	CLUTCH	
59256255	59256255	1	CLUTCH ASSY	
59256275	59256275	1	CLUTCH ASSY	
59256279	59256279	1	CLUTCH ASSY	
59256280	59256280	1	CLUTCH ASSY	

SERIAL

CLUTCH

CODE REV

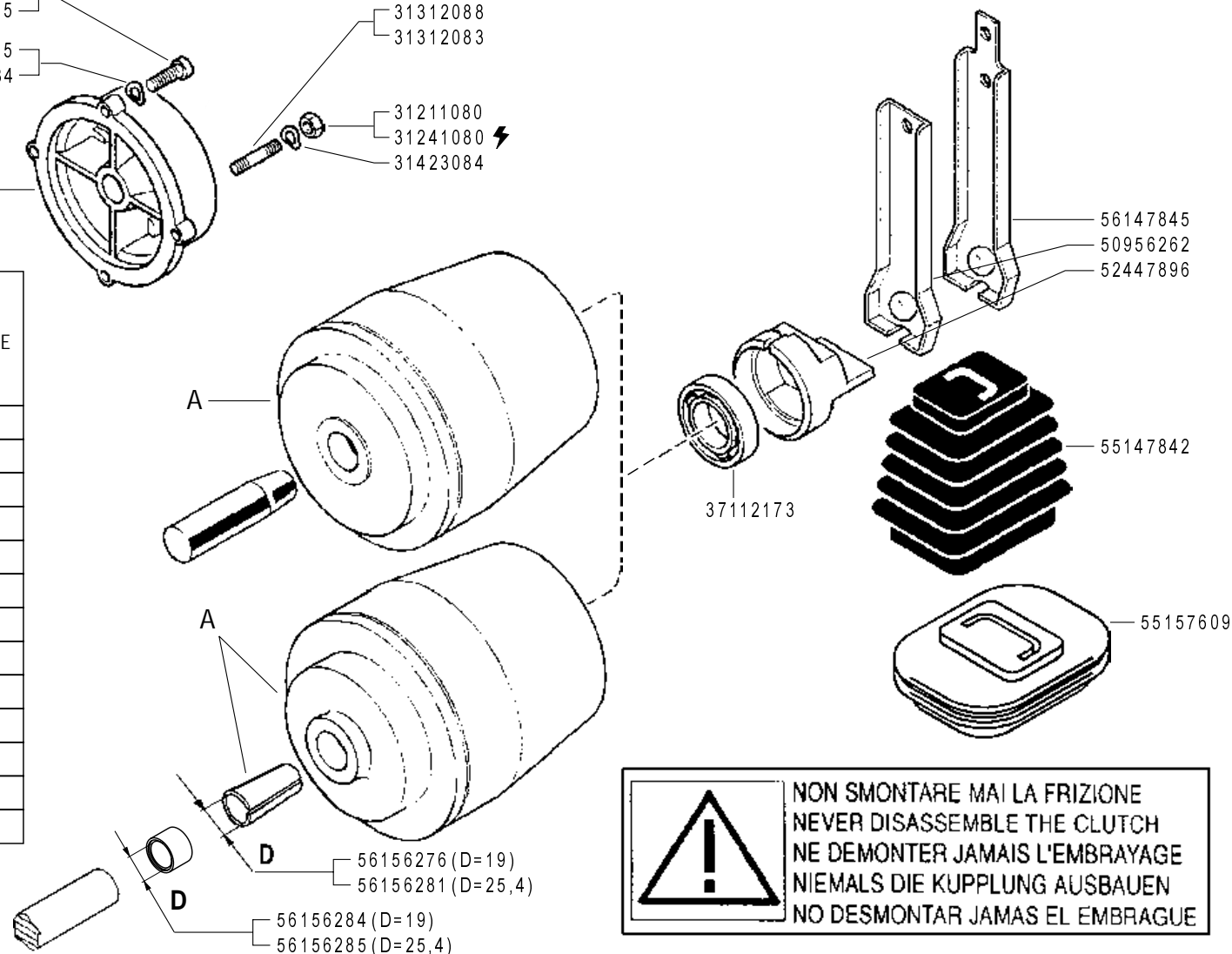
D01_1_33518

ROBIN EX 17 - HONDA Gx 120/160/200 31100003
 HONDA Gx 240/270/340/390 31100015
 HONDA Gx 240/270/340/390 31423105
 31423084

31312088
 31312083
 31211080
 31241080 ⚡
 31423084

ROBIN EX 17 - HONDA Gx 120/160/200 53247488
 HONDA Gx 240/270/340/390 53156150

MOTORE ENGINE MOTEUR MOTOR MOTOR	FRIZIONE CLUTCH A EMBRAYAGE EMBRAGUE KUPPLUNG
Acme A220	59247884
Acme A220 (REF.)	59256255
Acme ACT 280 - A349 - A360	59247884
Acme ACT 340	59247971
Honda Gx 390 - Gx 340 D=25,4	59256280
Honda Gx 240/270 D=25,4	59256279
Honda Gx 120/160/200 D=19	59256275
Lombardini 15LD315/350	59247884
Lombardini 15LD440 ★	59247971
Lombardini 15LD500	59247924
ROBIN EX 17 ★	59256275
Yanmar L100AE	59247971
Yanmar L70AE	59247884



⚠ NON SMONTARE MAI LA FRIZIONE
 NEVER DISASSEMBLE THE CLUTCH
 NE DEMONTER JAMAIS L'EMBRAYAGE
 NIEMALS DIE KUPPLUNG AUSBAUEN
 NO DESMONTAR JAMAS EL EMBRAGUE

FERRARI

300 TRENDY

FRIZIONE A CONO AUTOVENTILANTE

CLUTCH
EMBRAGUE

EMBAYAGE
KUPPLUNG

DALLA MACCHINA
FROM THE MACHINE
DE LA MACHINE
DE LA MAQUINA
AB DER MASCHINE

AGGIORNAMENTO
REVISION
MISE A JOUR
APLAZAMIENTO
ANPASSUNG

★ N.

D01

Rev. **2**

10/2008

ZENNE

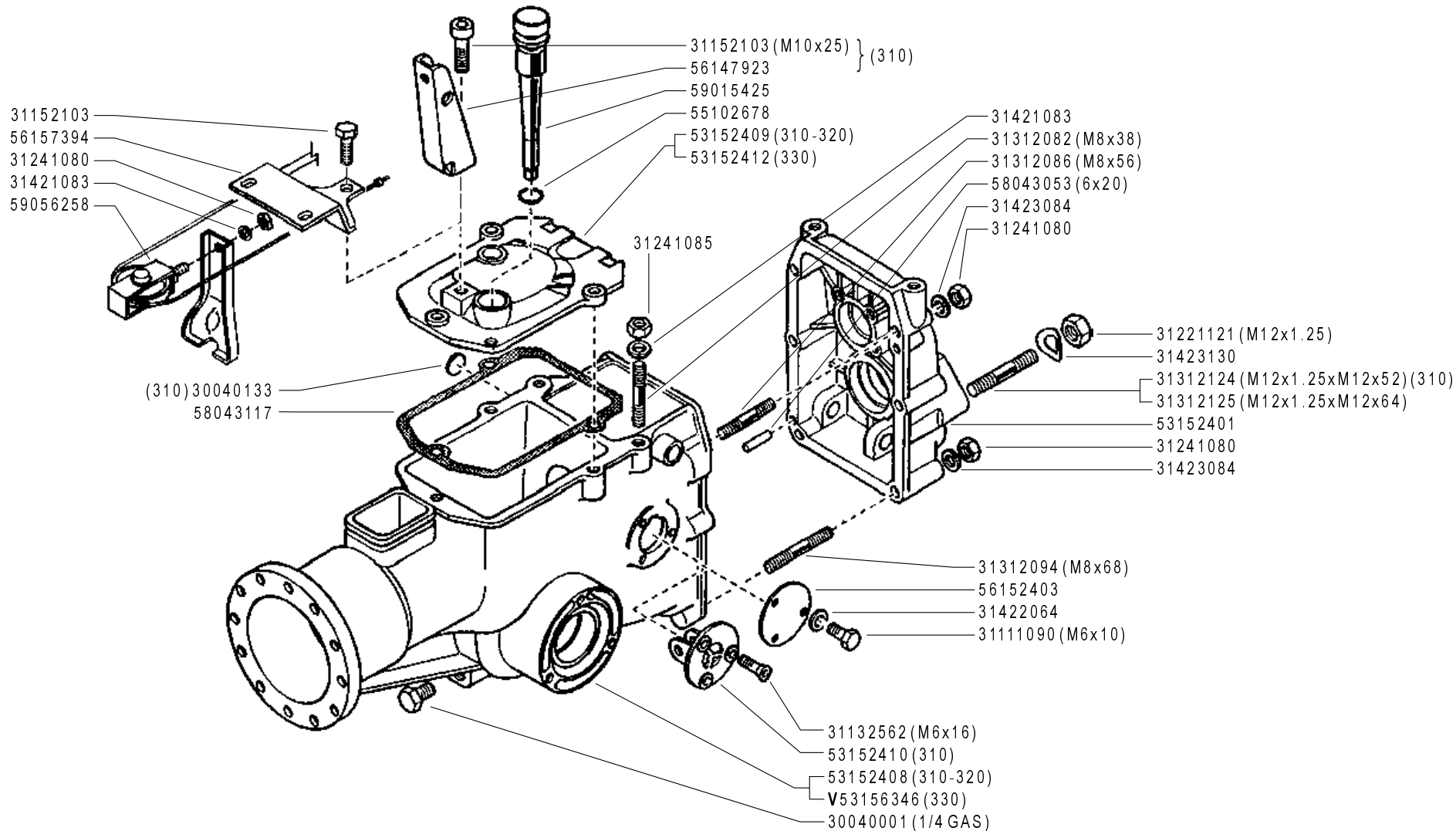
Pos.	Code	Q.ty	Description	Notes
31100003	31100003	1	SCREW TE 5/16X7/8	
31100015	31100015	1	SCREW TE 3/8X1	
31211080	31211080	1	NUT M8	
31241080	31241080	1	SELFLOCK NUT M8	
31312083	31312083	1	STUD BOLT M8X46X16X16	
31312088	31312088	1	STUD BOLT M8X40X14X14	
31423084	31423084	1	SPRING WASHER 8,4	
31423105	31423105	1	SPRING WASHER 10,5	
37112173	37112173	1	BEARING	
50956262	50956262	1	CLUTCH LEVER	
52447896	52447896	1	PRESSURE PLATE	
53156150	53156150	1	ENGINE FLANGE	
53247488	53247488	1	ENGINE FLANGE	
55147842	55147842	1	BELLOWS	
55157609	55157609	1	BELLOWS	
56147845	56147845	1	CLUTCH LEVER	
56156276	56156276	1	SLEEVE	
56156281	56156281	1	CENTRING BUSH	
56156284	56156284	1	SPACER	
56156285	56156285	1	SPACER	
59247884	59247884	1	CLUTCH ASSY	
59247924	59247924	1	CLUTCH	
59247971	59247971	1	CLUTCH	
59256255	59256255	1	CLUTCH ASSY	
59256275	59256275	1	CLUTCH ASSY	
59256279	59256279	1	CLUTCH ASSY	
59256280	59256280	1	CLUTCH ASSY	

SERIAL

CLUTCH

CODE REV

D01_2_60564



V = verde - green - vert - grün

FERRARI

300 TRENDY

SCATOLA CAMBIO

GEARBOX
CAJA DE CAMBIO

BOITE DE VITESSES
WECHSELGETRIEBE

DALLA MACCHINA
FROM THE MACHINE
DE LA MACHINE
DE LA MAQUINA
AB DER MASCHINE

N.

E01 0

11/2006

Rev.

ZENNE

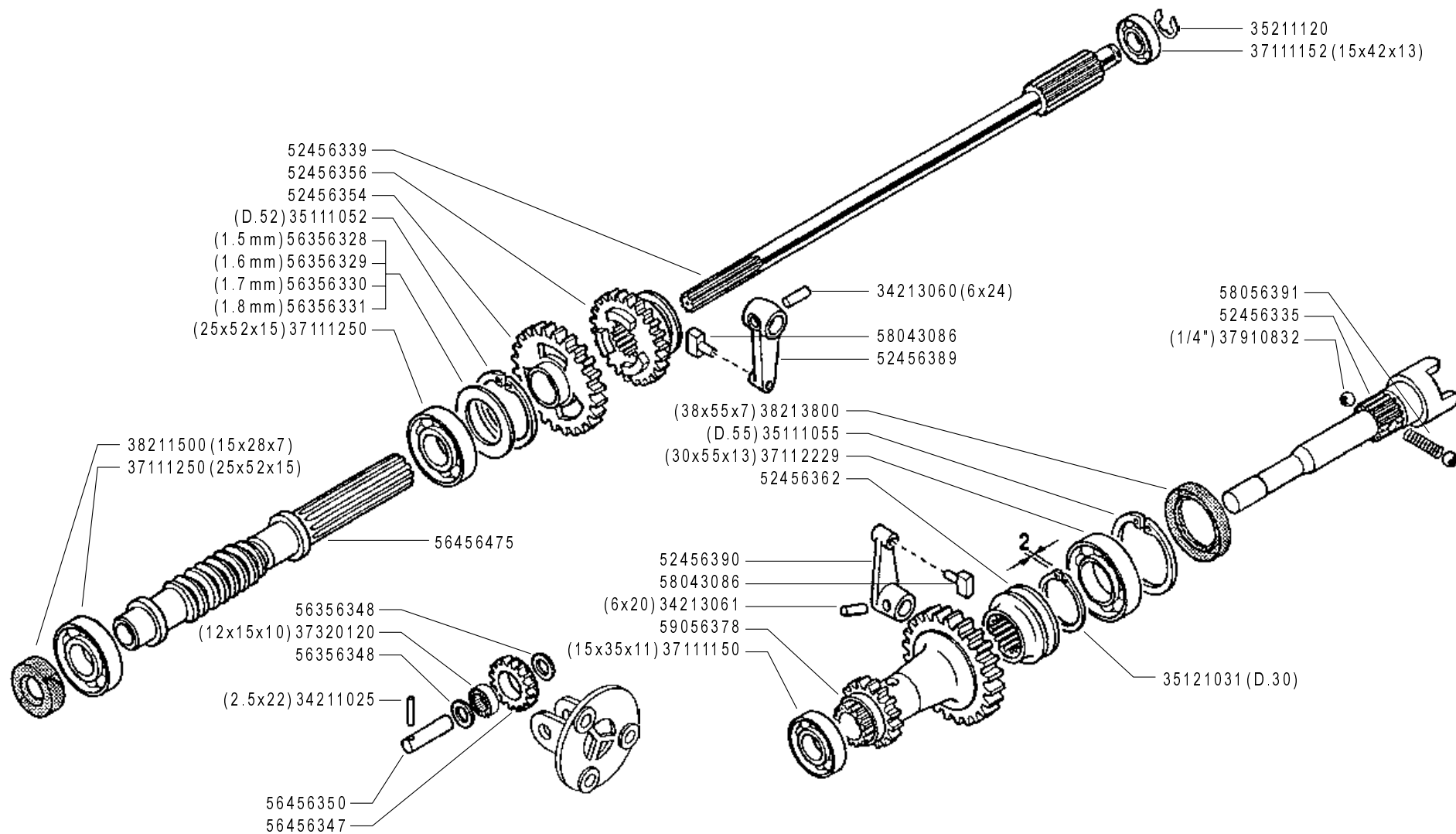
Pos.	Code	Q.ty	Description	Notes
30040001	30040001	1	PLUG	
30040133	30040133	1	PLUG 22 DIN 470	
31111090	31111090	1	SCREW TE M5X10 UNI 5739 8G	
31132562	31132562	1	SCREW TSVEI M6X16 UNI 5933	
31152103	31152103	1	SCREW TCEI M10X25 UNI 5931	
31221121	31221121	1	NUT M12X1,25	
31241080	31241080	1	SELFLOCK NUT M8	
31241085	31241085	1	SELFLOCK NUT M8 6S	
31312082	31312082	1	STUD BOLT M8X38X14X20	
31312086	31312086	1	STUD BOLT M8X56X20X14	
31312094	31312094	1	STUD BOLT M8X68X14X36	
31312124	31312124	1	STUD BOLT	
31312125	31312125	1	STUD BOLT	
31421083	31421083	1	WASHER	
31422064	31422064	1	SPRING WASHER 6,4	
31423084	31423084	1	SPRING WASHER 8,4	
31423130	31423130	1	SPRING WASHER 13	
53152401	53152401	1	REAR COVER	
53152408	53152408	1	BODY	
53152409	53152409	1	COVER	
53152410	53152410	1	GEAR SUPPORT	
53152412	53152412	1	COPERCHIO SCAT.CAMBIO DIFF.*V*	
53156346	53156346	1	BODY	
55102678	55102678	1	RUBBER RING	
56147923	56147923	1	BRACKET	
56152403	56152403	1	COVER	
56157394	56157394	1	STOP	
58043053	58043053	1	CYLINDRICAL PLUG	
58043117	58043117	1	COVER GASKET	
59015425	59015425	1	PLUG	
59056258	59056258	1	CLUTCH FORK	

SERIAL

GEARBOX

CODE REV

E01_0_27146



FERRARI

300 TRENDY

INGRANAGGI CAMBIO (310)

GEARS
ENGRANAJES

ENGRANAGES
ZÄHRÄDER

DALLA MACCHINA
FROM THE MACHINE
DE LA MACHINE
DE LA MAQUINA
AB DER MASCHINE

N.

F01 0

11/2006

Rev.

ZENNE

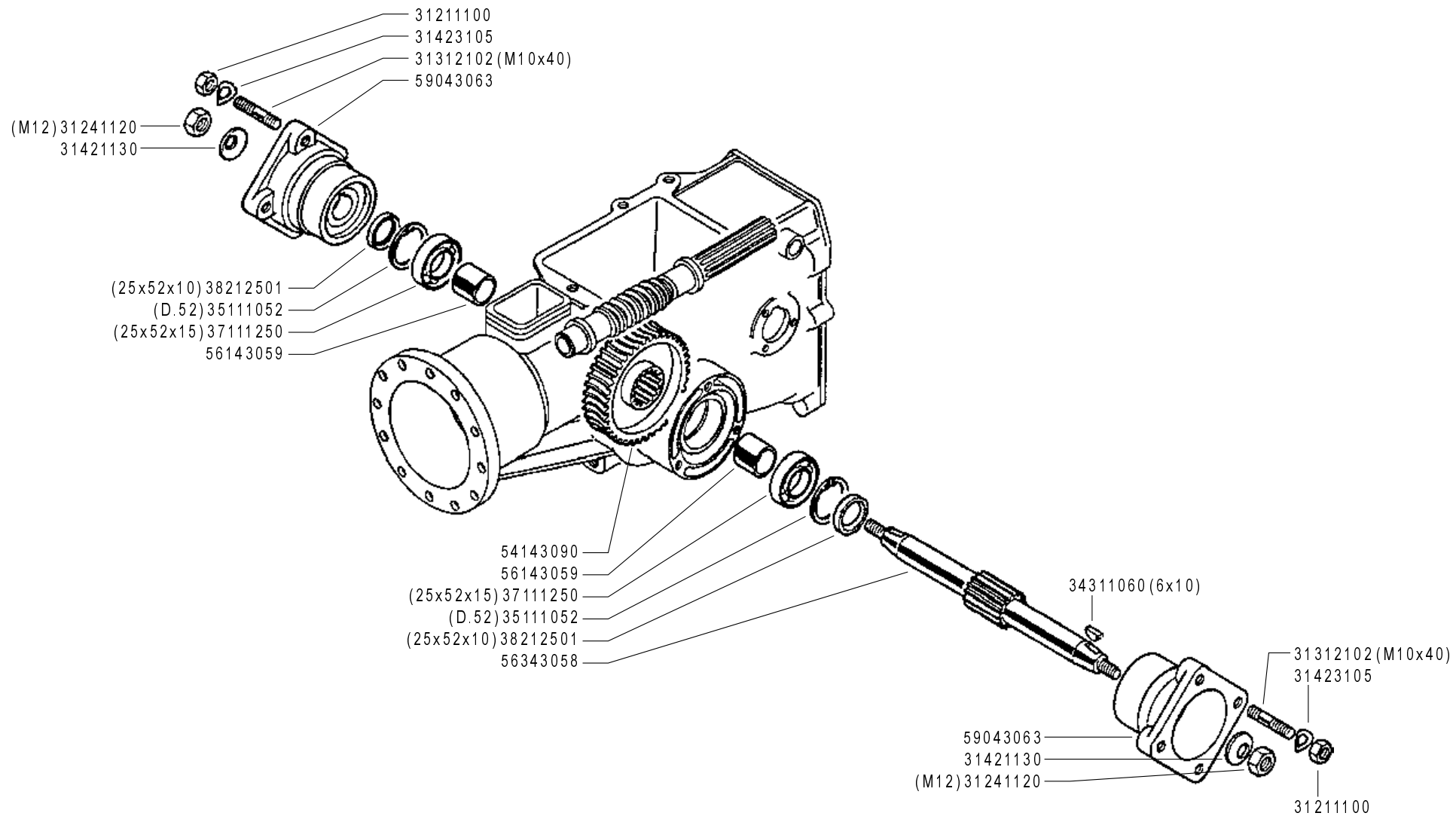
Pos.	Code	Q.ty	Description	Notes
34211025	34211025	1	ROLL PIN	
34213060	34213060	1	ROLL PIN	
34213061	34213061	1	ROLL PIN	
35111052	35111052	1	SEEGER RING I 52 DIN 472	
35111055	35111055	1	SEEGER RING I 55 DIN 472	
35121031	35121031	1	SEEGER RING E 30 UNI 7436	
35211120	35211120	1	SEEGER RING E 12 UNI 7434	
37111150	37111150	1	BEARING	
37111152	37111152	1	BEARING	
37111250	37111250	1	BEARING	
37112229	37112229	1	BEARING	
37320120	37320120	1	ROLLER CAGE 12X15/10	
37910832	37910832	1	BALL 1/4	
38211500	38211500	1	OIL SEAL 15X28X7	
38213800	38213800	1	OIL SEAL 38X55X7	
52456335	52456335	1	PTO SHAFT	
52456339	52456339	1	SHAFT	
52456354	52456354	1	GEAR	
52456356	52456356	1	SLIDER	
52456362	52456362	1	COUPLING	
52456389	52456389	1	LEVER	
52456390	52456390	1	LEVER	
56356328	56356328	1	ADJUSTING RING SP=1,5	
56356329	56356329	1	ADJUSTING RING SP=1,6	
56356330	56356330	1	ADJUSTING RING SP=1,7	
56356331	56356331	1	ADJUSTING RING SP=1,8	
56356348	56356348	1	ADJUSTING RING	
56456347	56456347	1	GEAR	
56456350	56456350	1	GEAR PIN	
56456475	56456475	1	SCREW	
58043086	58043086	1	SHOE	
58056391	58056391	1	SPRING	
59056378	59056378	1	TRANSMISSION SHAFT	

SERIAL

GEARS

CODE REV

F01_0_27176



ASSE RUOTE (310-320)

WHEEL AXLE
 EJE RUEDAS

ESSIEU ROUES
 RÄDACHSE

DALLA MACCHINA
 FROM THE MACHINE
 DE LA MACHINE
 DE LA MAQUINA
 AB DER MASCHINE

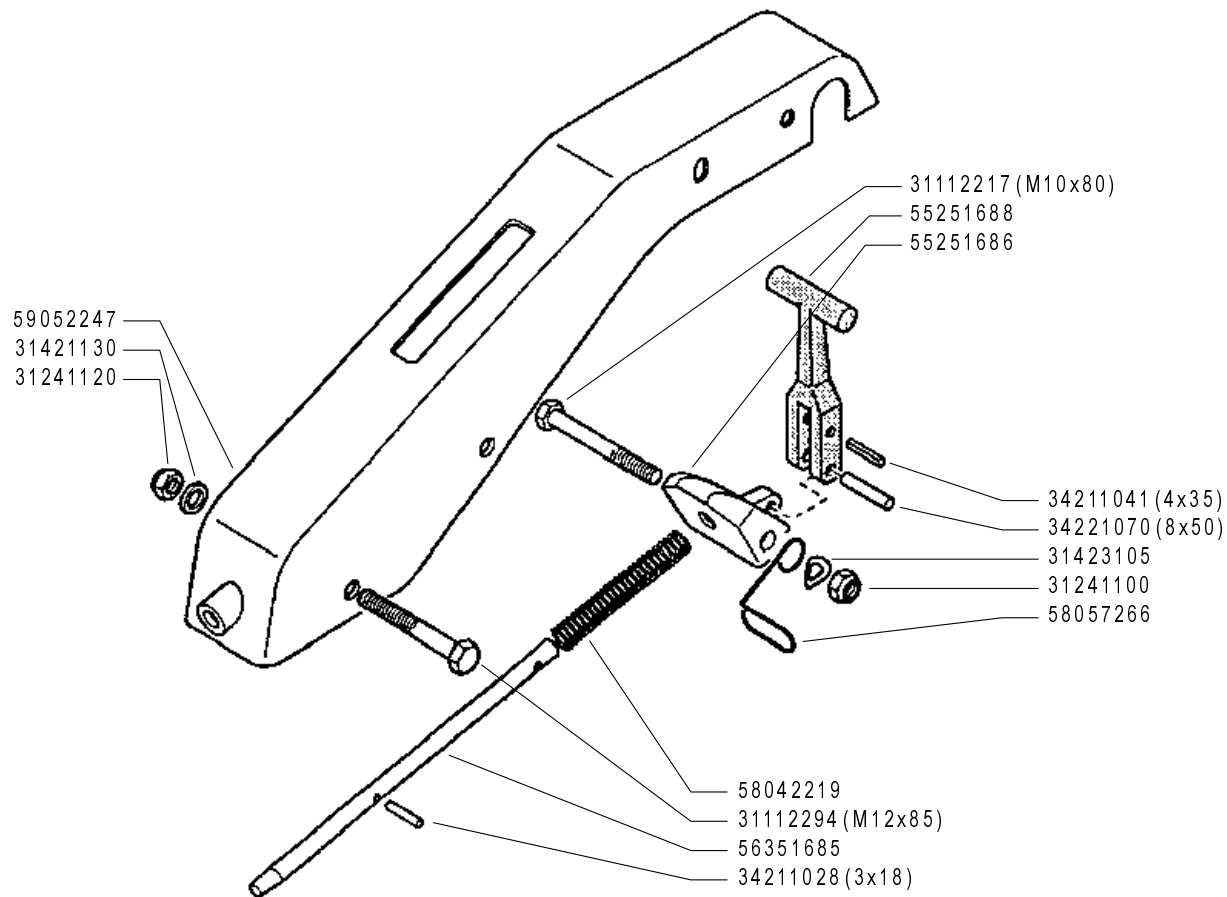
N.	

G01	Rev. 0
	11/2006



300 TRENDY

Pos.	Code	Q.ty	Description	Notes
31211100	31211100	1	NUT M10	
31241120	31241120	1	SELFLOCK NUT M12	
31312102	31312102	1	STUD BOLT M10X40X24X12	
31421130	31421130	1	WASHER	
31423105	31423105	1	SPRING WASHER 10,5	
34311060	34311060	1	KEY 6X10 UNI 6606	
35111052	35111052	1	SEEGER RING I 52 DIN 472	
37111250	37111250	1	BEARING	
38212501	38212501	1	OIL SEAL 25X52X10	
54143090	54143090	1	CROWN WHEEL	
56143059	56143059	1	SPACER	
56343058	56343058	1	AXLE SHAFT	
59043063	59043063	1	WHEEL HUB	



FERRARI

300 TRENDY

PIANTONE (310)

STEERING COLUMN
COLUMNNA

PLANTON
LENKSÄULE

DALLA MACCHINA
FROM THE MACHINE
DE LA MACHINE
DE LA MAQUINA
AB DER MASCHINE

N.

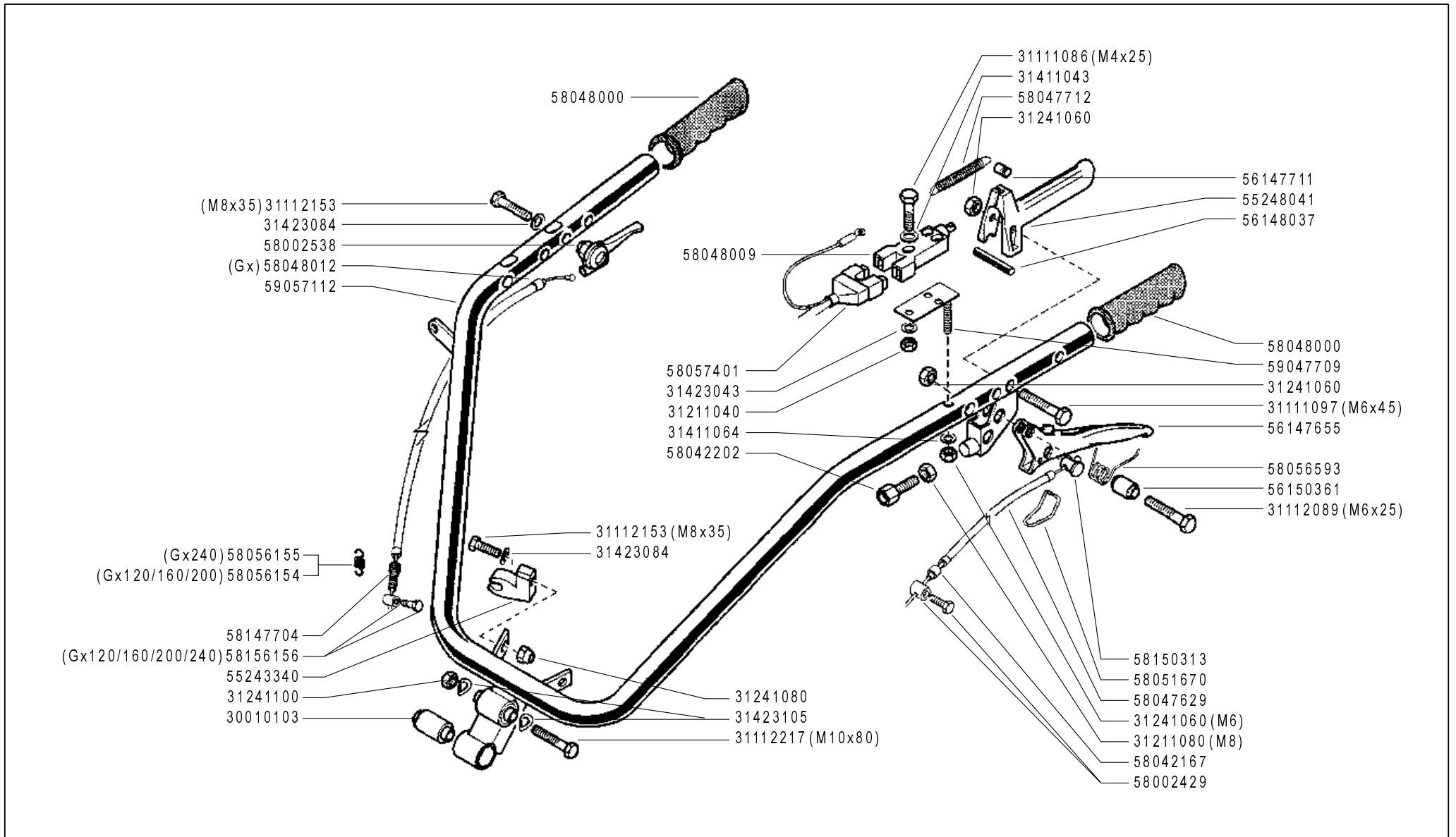
H01 0

11/2006

Rev.

ZENNE

Pos.	Code	Q.ty	Description	Notes
31112217	31112217	1	SCREW TE M10X80 UNI 5737	
31112294	31112294	1	SCREW TE M12X85 UNI 5737	
31241100	31241100	1	SELFLOCK NUT M10 6S	
31241120	31241120	1	SELFLOCK NUT M12	
31421130	31421130	1	WASHER	
31423105	31423105	1	SPRING WASHER 10,5	
34211028	34211028	1	ROLL PIN	
34211041	34211041	1	ROLL PIN	
34221070	34221070	1	CYLINDRICAL PLUG 8X50 UNI 1707	
55251686	55251686	1	LEVER BEARING	
55251688	55251688	1	LEVER	
56351685	56351685	1	ROD	
58042219	58042219	1	SPRING	
58057266	58057266	1	HOLDER	
59052247	59052247	1	HANDLE BAR COLUMN	



FERRARI

300 TRENDY

MANUBRIO (310)

HANDLEBAR
MANILLAR

MANCHERON
LENKER

DALLA MACCHINA
FROM THE MACHINE
DE LA MACHINE
DE LA MAQUINA
AB DER MASCHINE

N.

I01 0

11/2006

Rev.

ZENNE

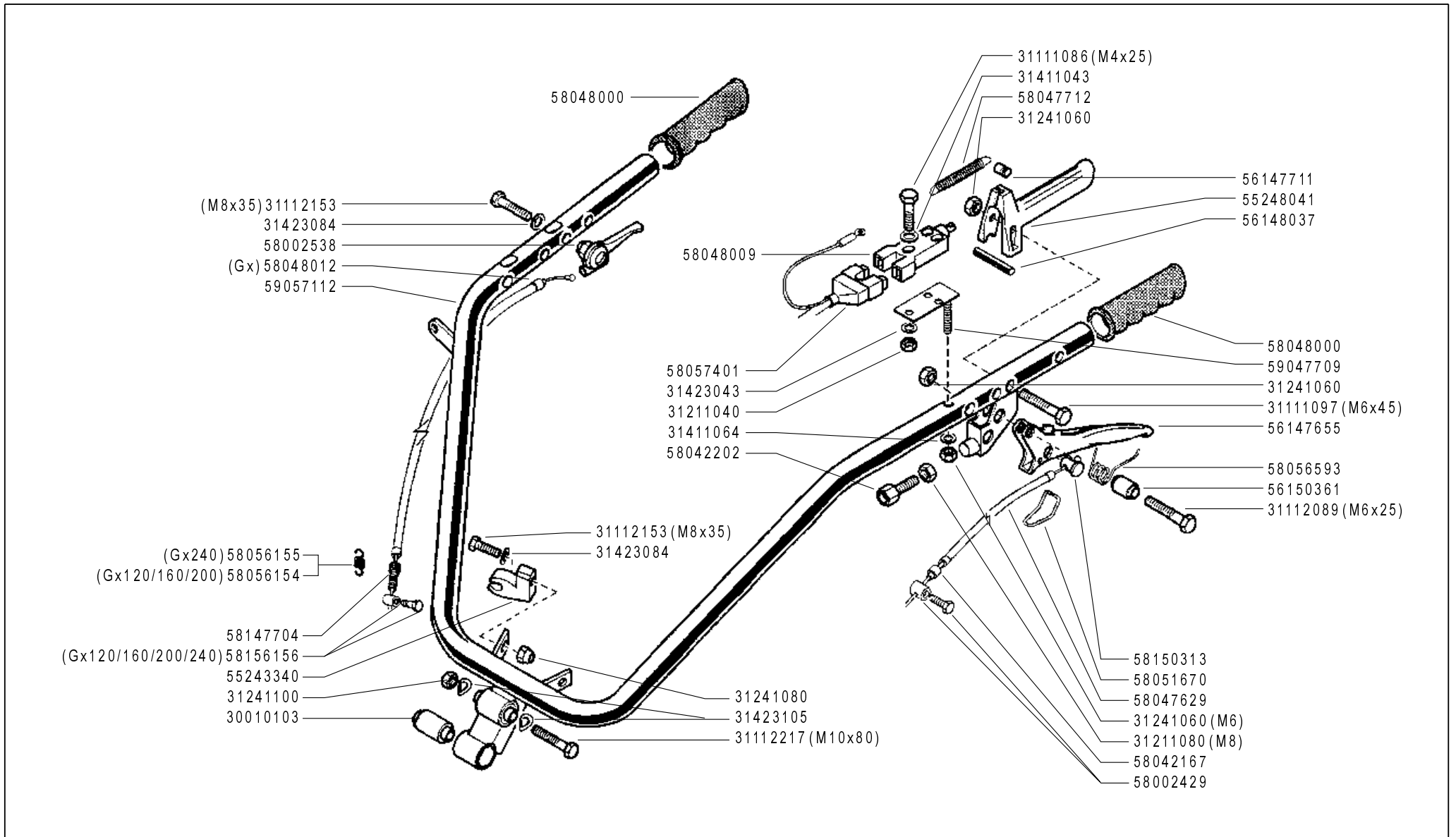
Pos.	Code	Q.ty	Description	Notes
30010103	30010103	1	SILENT-BLOCK 10,2X30X45X60,5	
31111086	31111086	1	SCREW TE M4X25 UNI 5739 8G	
31111097	31111097	1	SCREW TE M6X45 UNI 5737 8G	
31112089	31112089	1	SCREW TE M6X25 UNI 5739 8G	
31112153	31112153	1	SCREW TE M8X35 UNI 5739 8G	
31112217	31112217	1	SCREW TE M10X80 UNI 5737	
31211040	31211040	1	NUT M4	
31211080	31211080	1	NUT M8	
31241060	31241060	1	SELFLOCK NUT M6	
31241080	31241080	1	SELFLOCK NUT M8	
31241100	31241100	1	SELFLOCK NUT M10 6S	
31411043	31411043	1	WASHER 4,3X9	
31411064	31411064	1	WASHER 6,4x12,5	
31423043	31423043	1	SPRING WASHER 4,3	
31423084	31423084	1	SPRING WASHER 8,4	
31423105	31423105	1	SPRING WASHER 10,5	
55243340	55243340	1	SUPPORT	
55248041	55248041	1	LEVER	
56147655	56147655	1	CLUTCH LEVER	
56147711	56147711	1	PIN	
56148037	56148037	1	LEVER STOP	
56150361	56150361	1	SPACER	
58002429	58002429	1	CLAMPING SCREW	
58002538	58002538	1	COMMAND LEVER	
58042167	58042167	1	SHEATH TERMINAL	
58042202	58042202	1	ADJUSTING SCREW	
58047629	58047629	1	LINE AND SHEATH	
58047712	58047712	1	SPRING	
58048000	58048000	1	KNOB	
58048009	58048009	1	SWITCH	
58048012	58048012	1	LINE AND SHEATH	
58051670	58051670	1	CLEVIS	
58056154	58056154	1	RESTORING SPRING	Utilizzato con motore GX200
58056155	58056155	1	RESTORING SPRING	Utilizzato con motore GX270

SERIAL

HANDLEBAR

CODE REV

I01_0_27345



FERRARI

300 TRENDY

HANDLEBAR
MANILLAR

MANUBRIO (310)

MANCHERON
LENKER

DALLA MACCHINA
FROM THE MACHINE
DE LA MACHINE
DE LA MAQUINA
AB DER MASCHINE

N.

I01 0

11/2006

Rev.

ZENNE

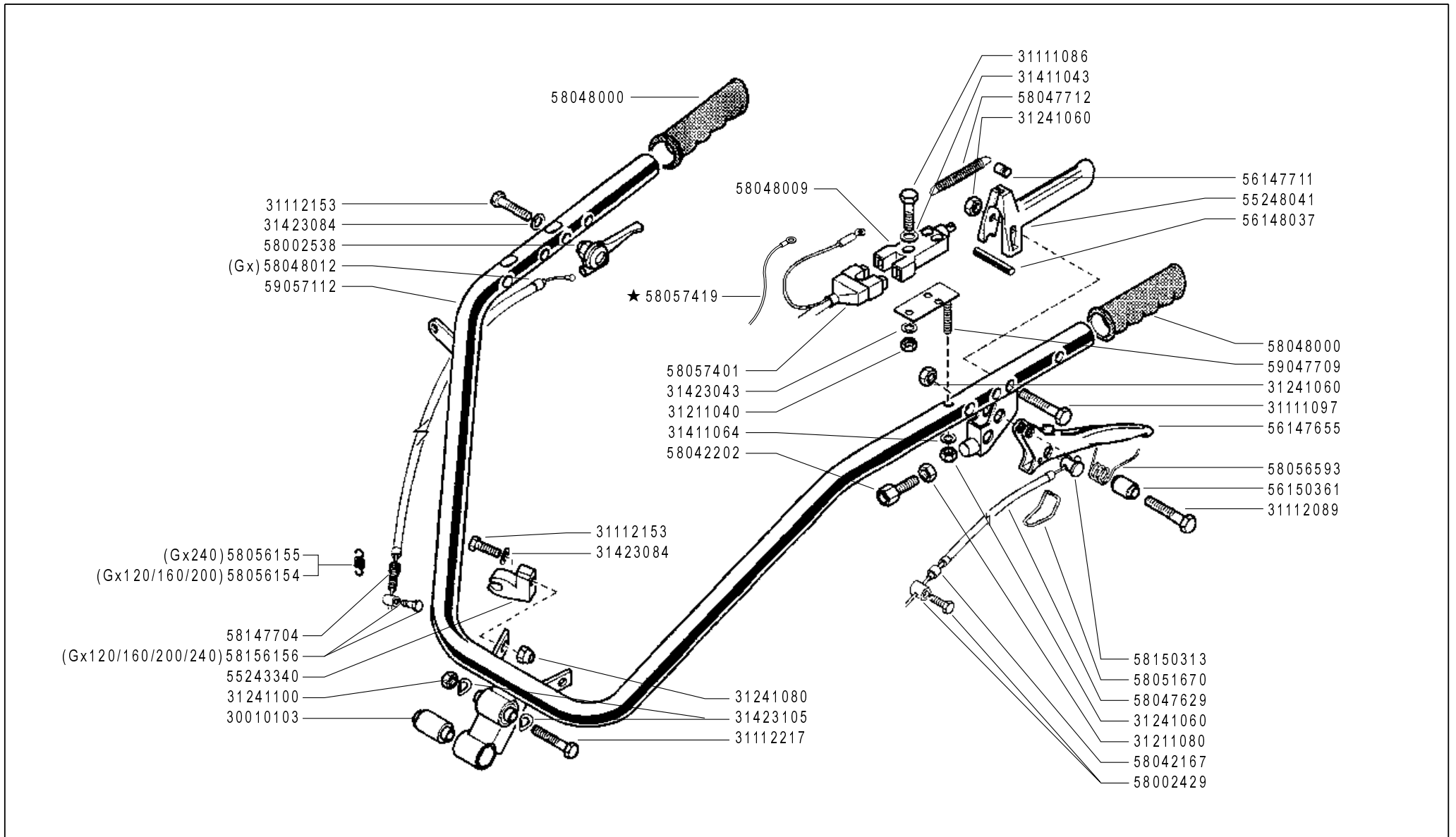
Pos.	Code	Q.ty	Description	Notes
58056593	58056593	1	SPRING	
58057401	58057401	1	WIRING	
58147704	58147704	1	ADJUSTING SCREW	
58150313	58150313	1	CABLE CLAMP	
58156156	58156156	1	TERMINAL	
59047709	59047709	1	SWITCH SUPPORT	
59057112	59057112	1	COMPLETE HANDLE BAR	

SERIAL

HANDLEBAR

CODE REV

I01_0_27345



FERRARI

300 TRENDY

HANDLEBAR
MANILLAR

MANUBRIO (310)

MANCHERON
LENKER

DALLA MACCHINA
FROM THE MACHINE
DE LA MACHINE
DE LA MAQUINA
AB DER MASCHINE

★ N.

794196

I01

06/2007

Rev.

1

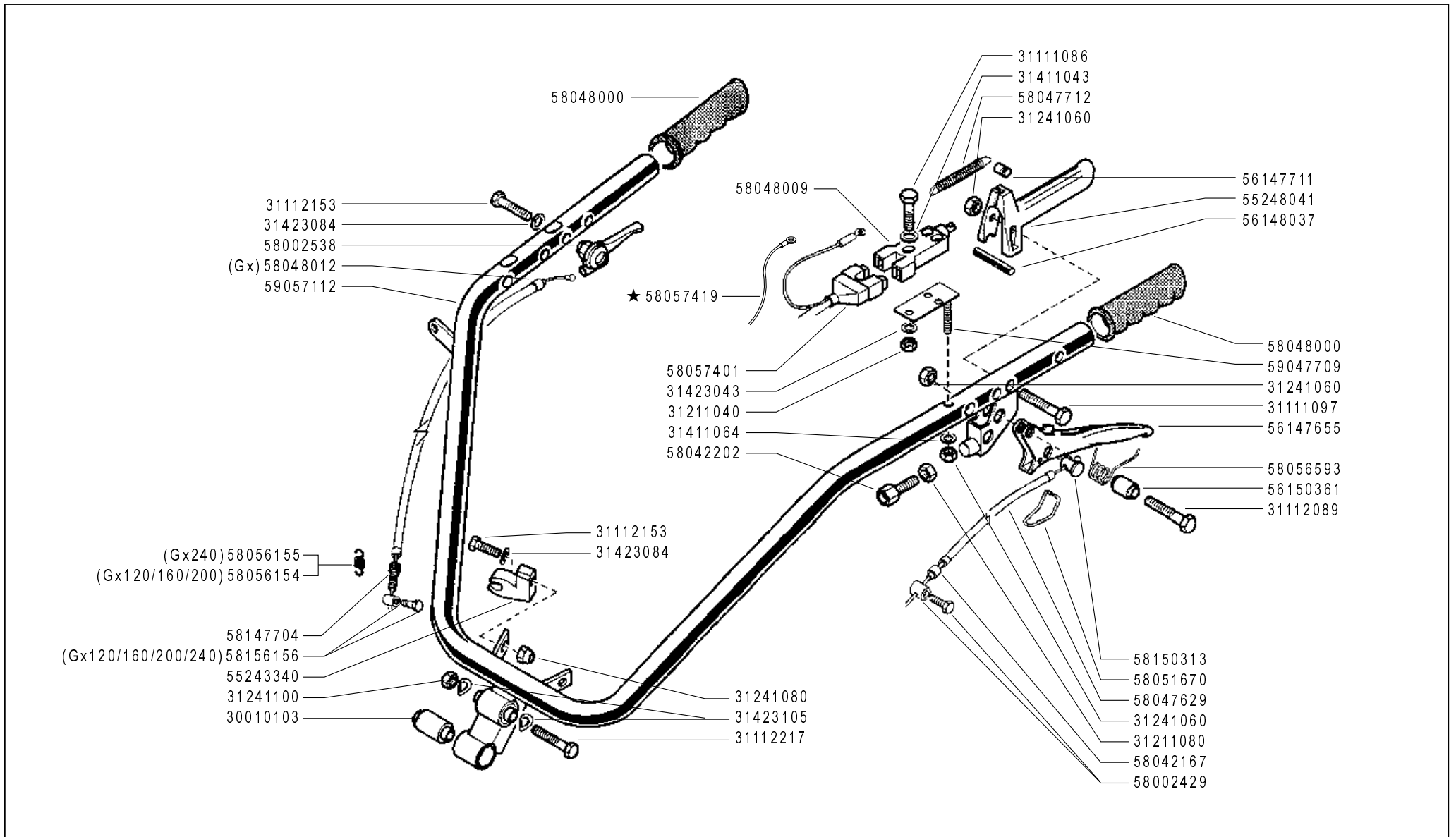
ZENNE

Pos.	Code	Q.ty	Description	Notes
30010103	30010103	1	SILENT-BLOCK 10,2X30X45X60,5	
31111086	31111086	1	SCREW TE M4X25 UNI 5739 8G	
31111097	31111097	1	SCREW TE M6X45 UNI 5737 8G	
31112089	31112089	1	SCREW TE M6X25 UNI 5739 8G	
31112153	31112153	1	SCREW TE M8X35 UNI 5739 8G	
31112217	31112217	1	SCREW TE M10X80 UNI 5737	
31211040	31211040	1	NUT M4	
31211080	31211080	1	NUT M8	
31241060	31241060	1	SELFLOCK NUT M6	
31241080	31241080	1	SELFLOCK NUT M8	
31241100	31241100	1	SELFLOCK NUT M10 6S	
31411043	31411043	1	WASHER 4,3X9	
31411064	31411064	1	WASHER 6,4x12,5	
31423043	31423043	1	SPRING WASHER 4,3	
31423084	31423084	1	SPRING WASHER 8,4	
31423105	31423105	1	SPRING WASHER 10,5	
55243340	55243340	1	SUPPORT	
55248041	55248041	1	LEVER	
56147655	56147655	1	CLUTCH LEVER	
56147711	56147711	1	PIN	
56148037	56148037	1	LEVER STOP	
56150361	56150361	1	SPACER	
58002429	58002429	1	CLAMPING SCREW	
58002538	58002538	1	COMMAND LEVER	
58042167	58042167	1	SHEATH TERMINAL	
58042202	58042202	1	ADJUSTING SCREW	
58047629	58047629	1	LINE AND SHEATH	
58047712	58047712	1	SPRING	
58048000	58048000	1	KNOB	
58048009	58048009	1	SWITCH	
58048012	58048012	1	LINE AND SHEATH	
58051670	58051670	1	CLEVIS	
58056154	58056154	1	RESTORING SPRING	Utilizzato con motore GX200
58056155	58056155	1	RESTORING SPRING	Utilizzato con motore GX270

SERIAL
START
794196

HANDLEBAR

CODE REV
I01_1_60774



FERRARI

300 TRENDY

MANUBRIO (310)

HANDLEBAR
MANILLAR

MANCHERON
LENKER

DALLA MACCHINA
FROM THE MACHINE
DE LA MACHINE
DE LA MAQUINA
AB DER MASCHINE

★ N.

794196

I01

Rev.
1

06/2007

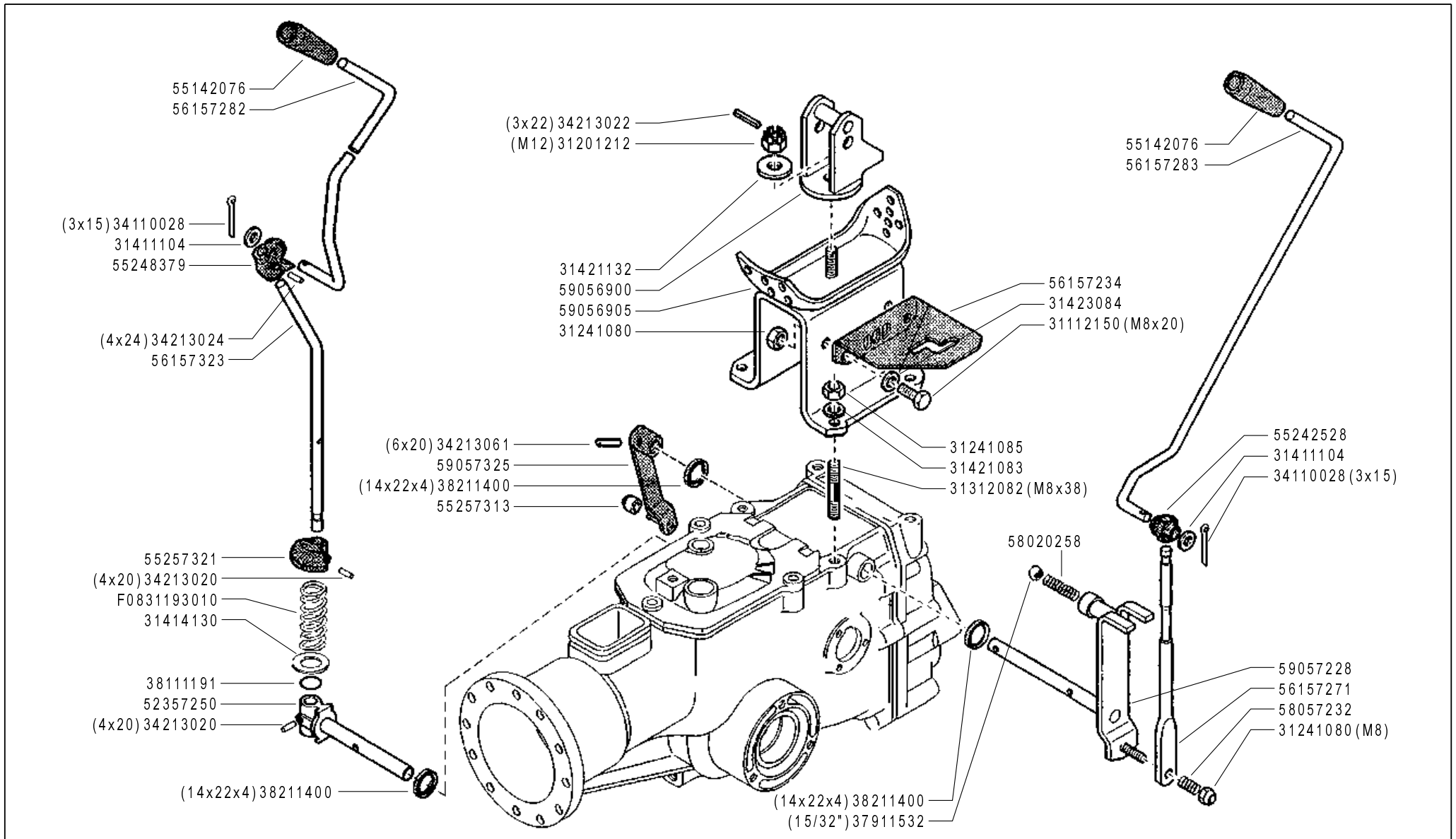
ZENNE

Pos.	Code	Q.ty	Description	Notes
58056593	58056593	1	SPRING	
58057401	58057401	1	WIRING	
58057419	58057419	1	WIRING	
58147704	58147704	1	ADJUSTING SCREW	
58150313	58150313	1	CABLE CLAMP	
58156156	58156156	1	TERMINAL	
59047709	59047709	1	SWITCH SUPPORT	
59057112	59057112	1	COMPLETE HANDLE BAR	

SERIAL
START
794196

HANDLEBAR

CODE REV
I01_1_60774



FERRARI

300 TRENDY

COMANDI (310)

CONTROLS
MANDOS

COMMANDES
ANTRIEBE

DALLA MACCHINA
FROM THE MACHINE
DE LA MACHINE
DE LA MAQUINA
AB DER MASCHINE

N.

J01 0

11/2006

Rev.

ZENNE

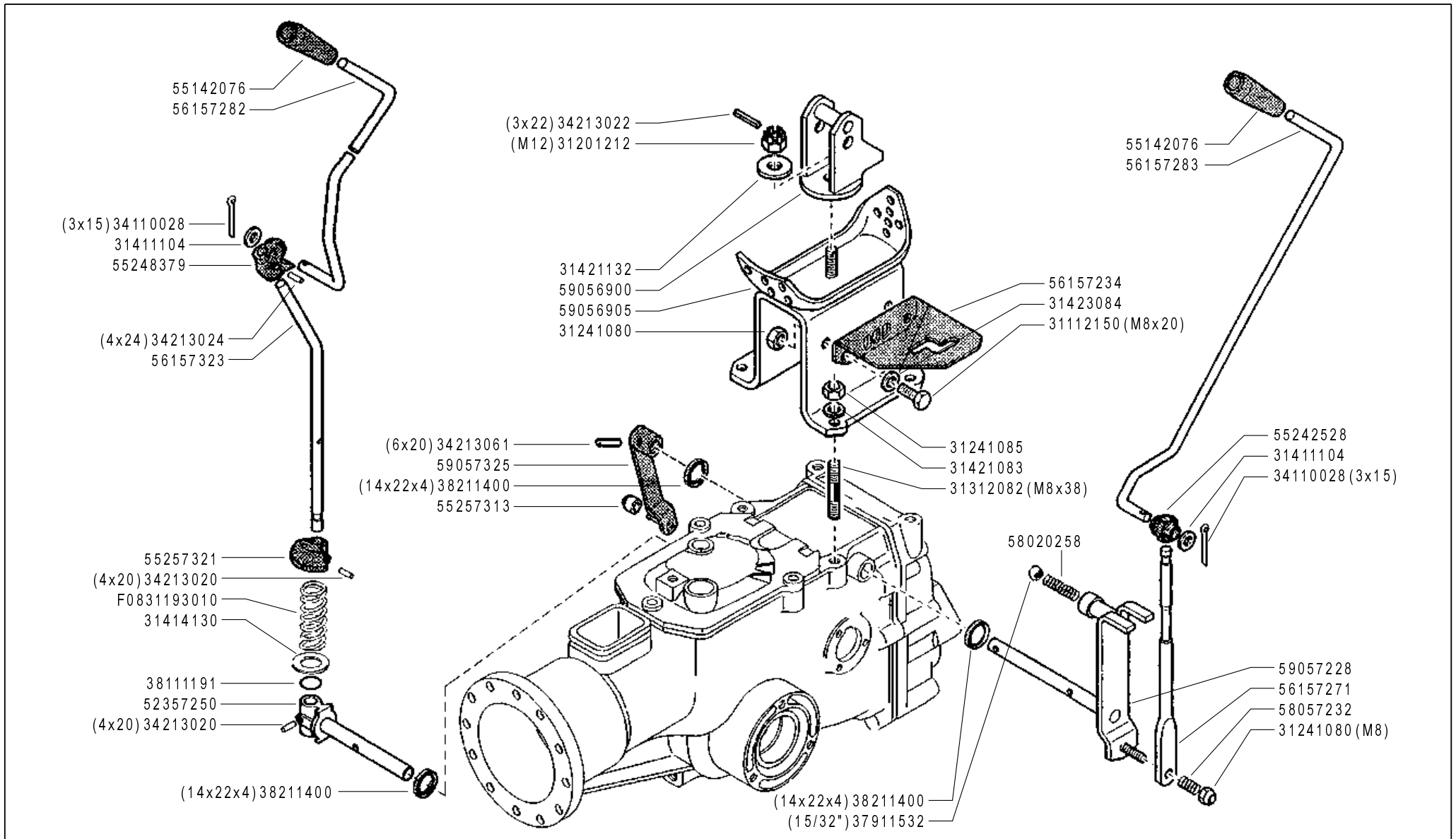
Pos.	Code	Q.ty	Description	Notes
31112150	31112150	1	SCREW TE M8X20 UNI 5739 8G	
31201212	31201212	1	NUT M12	
31241080	31241080	1	SELFLOCK NUT M8	
31241085	31241085	1	SELFLOCK NUT M8 6S	
31312082	31312082	1	STUD BOLT M8X38X14X20	
31411104	31411104	1	WASHER 10,5x18	
31414130	31414130	1	WASHER 13	
31421083	31421083	1	WASHER	
31421132	31421132	1	WASHER 13X24X2,8	
31423084	31423084	1	SPRING WASHER 8,4	
34110028	34110028	1	SPLIT PIN	
34213020	34213020	1	ROLL PIN	
34213022	34213022	1	ROLL PIN	
34213024	34213024	1	ROLL PIN	
34213061	34213061	1	ROLL PIN	
37911532	37911532	1	BALL 15/32	
38111191	38111191	1	O-RING 115 (11,91X2,62)	
38211400	38211400	1	OIL SEAL 14X22X4	
52357250	52357250	1	PIN	
55142076	55142076	1	KNOB	
55242528	55242528	1	JOINT	
55248379	55248379	1	JOINT	
55257313	55257313	1	ROLLER	
55257321	55257321	1	STOP	
56157234	56157234	1	GEAR SELECTOR	
56157271	56157271	1	COMMAND LEVER	
56157282	56157282	1	ROD	
56157283	56157283	1	GEARSHIFT ROD	
56157323	56157323	1	PTO LEVER	
58020258	58020258	1	SPRING	
58057232	58057232	1	SPRING	
59056900	59056900	1	SUPPORT	
59056905	59056905	1	SUMP	
59057228	59057228	1	GEAR LEVER	

SERIAL

CONTROLS

CODE REV

J01_0_27436



FERRARI

300 TRENDY

COMANDI (310)

CONTROLS
MANDOS

COMMANDES
ANTRIEBE

DALLA MACCHINA
FROM THE MACHINE
DE LA MACHINE
DE LA MAQUINA
AB DER MASCHINE

N.

J01 0

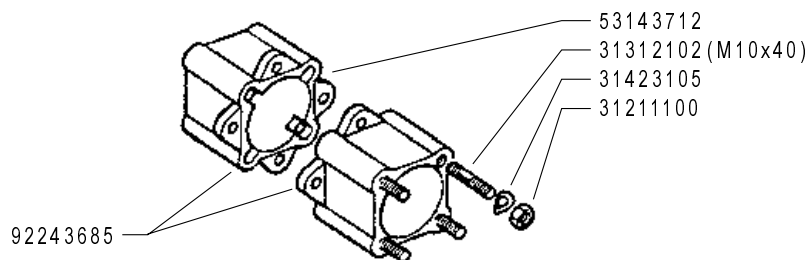
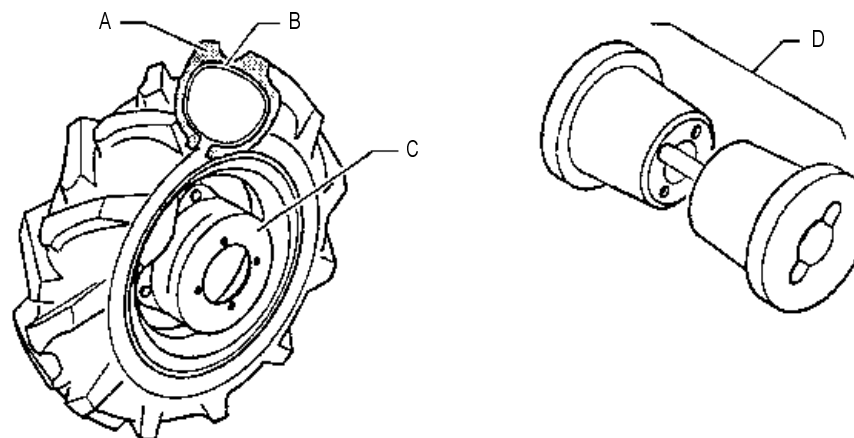
11/2006

Rev.

ZENNE

Pos.	Code	Q.ty	Description	Notes
59057325	59057325	1	LEVER	
F0831193	F0831193010	1	SPRING DM.15X70	

	A	B	C	D
3.50 - 8"	39113502	39413502	58052326	92243686 (Kg.10)
4.00 - 8"	39114008	39414008	58052326	92243686 (Kg.10)
4.0 - 10"	39114010	39414010	58052327	92248715 (Kg.15)
5.0 - 10"	39115010	39415010	58052327	92248715 (Kg.15)
5.00 - 12"	39115012	39415012	58052328	92248720 (Kg.34)



FERRARI

300 TRENDY

WHEELS
RUEDAS

RUOTE

ROUES
RÄDER

DALLA MACCHINA
FROM THE MACHINE
DE LA MACHINE
DE LA MAQUINA
AB DER MASCHINE

N.

K01 0

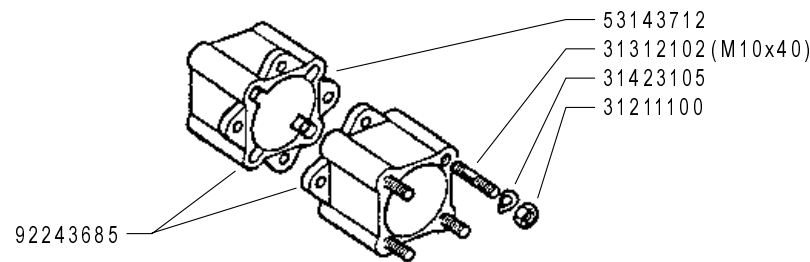
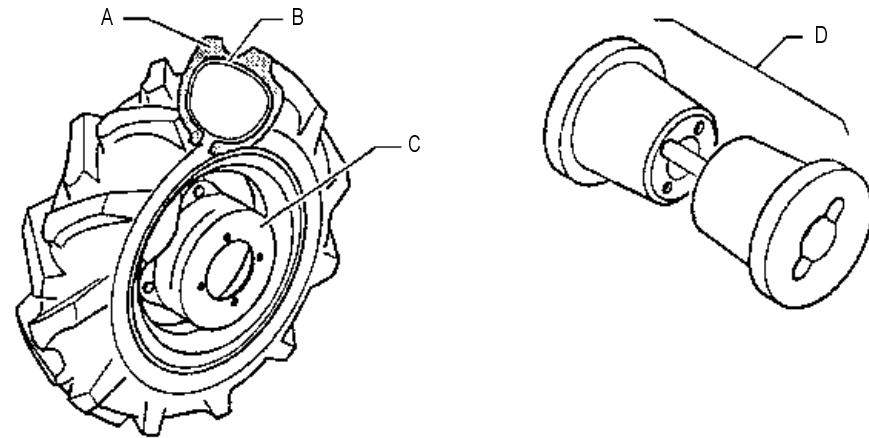
11/2006

Rev.

ZENNE

Pos.	Code	Q.ty	Description	Notes
31211100	31211100	1	NUT M10	
31312102	31312102	1	STUD BOLT M10X40X24X12	
31423105	31423105	1	SPRING WASHER 10,5	
39113502	39113502	1	TYRE 3.50-8 2PR	
39114008	39114008	1	TYRE 4.00-8 2PR	
39114010	39114010	1	TYRE 4.0-10 2PR	
39115010	39115010	1	TYRE 5.00-10 2PR	
39115012	39115012	1	TYRE 5.00-12 2PR	
39413502	39413502	1	INNER TUBE	
39414008	39414008	1	INNER TUBE	
39414010	39414010	1	INNER TUBE	
39415010	39415010	1	INNER TUBE	
39415012	39415012	1	INNER TUBE	
53143712	53143712	1	SPACER	
58052326	58052326	1	RIM	
58052327	58052327	1	RIM	
58052328	58052328	1	RIM	
92243685	92243685	1	PAIR WHEEL SPACERS 6 CM	
92243686	92243686	1	PAIR OF WEIGHTS FOR 8 WHEELS 11 KGS	
92248715	92248715	1	PAIR OF WEIGHTS FOR 10 WHEELS 15 KGS	
92248720	92248720	1	PAIR OF WEIGHTS FOR 12 AND 15 WHEELS - 34 KGS	

	A	B	C	D
	39113502	39413502	58052326	92243686 (Kg.10)
	39114008	39414008	58052326	92243686 (Kg.10)
★	39114010	39414010	58052288 (FIX)	/
	39114010	39414010	58052327	92248715 (Kg.15)
★	39115010	39415010	58052288 (FIX)	/
	39115010	39415010	58052327	92248715 (Kg.15)
	39115012	39415012	58052328	92248720 (Kg.34)
★	39116018	39416018	58052328	92480721 (Kg.34)



FERRARI

300 TRENDY

WHEELS
RUEDAS

RUOTE

ROUES
RÄDER

DALLA MACCHINA
FROM THE MACHINE
DE LA MACHINE
DE LA MAQUINA
AB DER MASCHINE

AGGIORNAMENTO
REVISION
MISE A JOUR
APLAZAMIENTO
ANPASSUNG

★ N.

K01 1

10/2008

Rev.

ZENNE

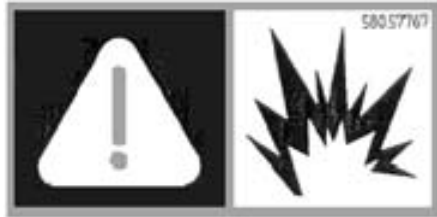
Pos.	Code	Q.ty	Description	Notes
31211100	31211100	1	NUT M10	
31312102	31312102	1	STUD BOLT M10X40X24X12	
31423105	31423105	1	SPRING WASHER 10,5	
39113502	39113502	1	TYRE 3.50-8 2PR	
39114008	39114008	1	TYRE 4.00-8 2PR	
39114010	39114010	1	TYRE 4.0-10 2PR	
39115010	39115010	1	TYRE 5.00-10 2PR	
39115012	39115012	1	TYRE 5.00-12 2PR	
39116018	39116018	1	TYRE 6.5/80-12 2PR	
39413502	39413502	1	INNER TUBE	
39414008	39414008	1	INNER TUBE	
39414010	39414010	1	INNER TUBE	
39415010	39415010	1	INNER TUBE	
39415012	39415012	1	INNER TUBE	
39416018	39416018	1	INNER TUBE	
53143712	53143712	1	SPACER	
58052288	58052288	1	RIM	
58052326	58052326	1	RIM	
58052327	58052327	1	RIM	
58052328	58052328	1	RIM	
92243685	92243685	1	PAIR WHEEL SPACERS 6 CM	
92243686	92243686	1	PAIR OF WEIGHTS FOR 8 WHEELS 11 KGS	
92248715	92248715	1	PAIR OF WEIGHTS FOR 10 WHEELS 15 KGS	
92248720	92248720	1	PAIR OF WEIGHTS FOR 12 AND 15 WHEELS - 34 KGS	
92480721	92480721	1	WEIGHTS KG. 34 FOR WHEELS 5.00-12 / 6.5/80-12 (PAIR) (0901012307)	

SERIAL

WHEELS

CODE REV

K01_1_60913



58057767



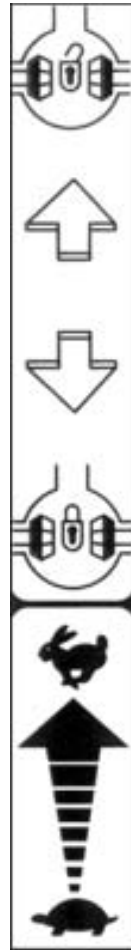
58057768



58046912



58057724



58057688



58057676



58057678



58057677



58057772



58057770

FERRARI

300 TRENDY

STICKERS
ADHESIVOS

ADESIVE

AUTOCOLLANTS
AUFKLEBES

DALLA MACCHINA
FROM THE MACHINE
DE LA MACHINE
DE LA MAQUINA
AB DER MASCHINE

N.

M01 0

11/2006

Rev.

ZENNE

Pos.	Code	Q.ty	Description	Notes
58046912	58046912	1	DECAL	
58057676	58057676	1	DECAL	
58057677	58057677	1	DECAL	
58057678	58057678	1	DECAL	
58057688	58057688	1	DECAL	
58057724	58057724	1	DECAL	
58057767	58057767	1	DECAL	
58057768	58057768	1	DECAL	
58057770	58057770	1	DECAL	
58057772	58057772	1	DECAL	



58057767



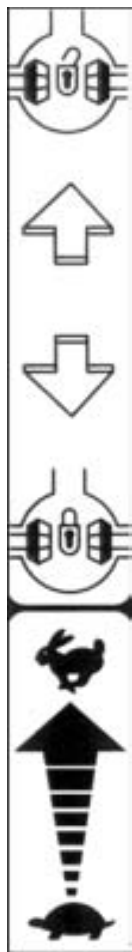
58057768



58057724



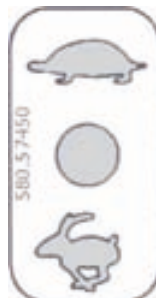
58057770



58057688



58057746 ★



58057450 ★



58057625 ★



58057451 ★



58057748 ★



58093089 ★



58057704 ★



58057676



58057678



58057677



58046912



58057772

FERRARI

300 TRENDY

STICKERS
ADHESIVOS

ADESIVE

AUTOCOLLANTS
AUFKLEBES

DALLA MACCHINA
FROM THE MACHINE
DE LA MACHINE
DE LA MAQUINA
AB DER MASCHINE

★ N.

AGGIORNAMENTO
REVISION
MISE A JOUR
APLAZAMIENTO
ANPASSUNG

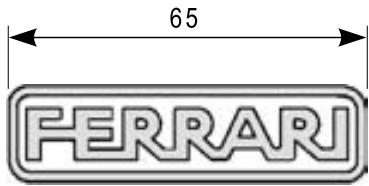
M01 1

10/2008

Rev.

ZENNE

Pos.	Code	Q.ty	Description	Notes
58046912	58046912	1	DECAL	
58057450	58057450	1	DECAL	
58057451	58057451	1	DECAL	
58057625	58057625	1	DECAL	
58057676	58057676	1	DECAL	
58057677	58057677	1	DECAL	
58057678	58057678	1	DECAL	
58057688	58057688	1	DECAL	
58057704	58057704	1	DECAL	
58057724	58057724	1	DECAL	
58057746	58057746	1	DECAL	
58057748	58057748	1	DECAL	
58057767	58057767	1	DECAL	
58057768	58057768	1	DECAL	
58057770	58057770	1	DECAL	
58057772	58057772	1	DECAL	
58093089	58093089	1	DECAL	



58052156

310

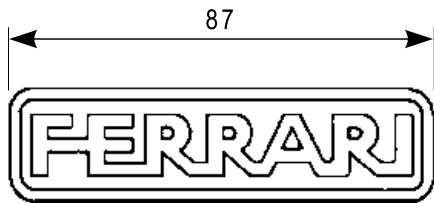
58052037

320

58052026

330

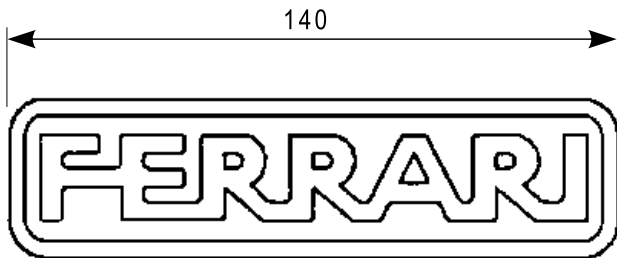
58052039



58052019

TRENDY

58052045



58052029

TRENDY

58052046

FERRARI

300 TRENDY

STICKERS
ADHESIVOS

ADESIVI

AUTOCOLLANTS
AUFKLEBES

DALLA MACCHINA
FROM THE MACHINE
DE LA MACHINE
DE LA MAQUINA
AB DER MASCHINE

N.

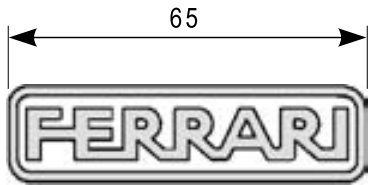
M02 0

11/2006

Rev.

ZENNE

Pos.	Code	Q.ty	Description	Notes
58052019	58052019	1	DECAL	
58052026	58052026	1	DECAL	
58052029	58052029	1	DECAL	
58052037	58052037	1	DECAL	
58052039	58052039	1	DECAL	
58052045	58052045	1	DECAL	
58052046	58052046	1	DECAL	
58052156	58052156	1	DECAL	



58052156

310

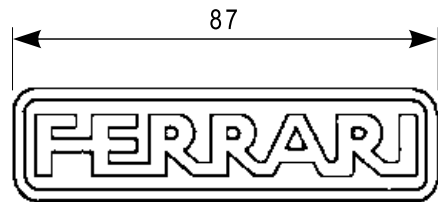
58052037

320

58052026

330

58052039



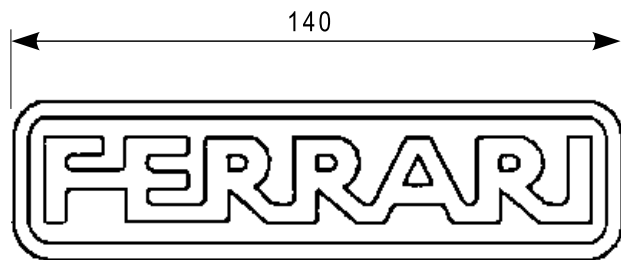
58052019

340

58052047 ★

TRENDY

58052045



58052029

TRENDY

58052046

FERRARI

300 TRENDY

STICKERS
ADHESIVOS

ADESIVI

AUTOCOLLANTS
AUFKLEBES

DALLA MACCHINA
FROM THE MACHINE
DE LA MACHINE
DE LA MAQUINA
AB DER MASCHINE

AGGIORNAMENTO
REVISION
MISE A JOUR
APLAZAMIENTO
ANPASSUNG

★ N.

M02 1

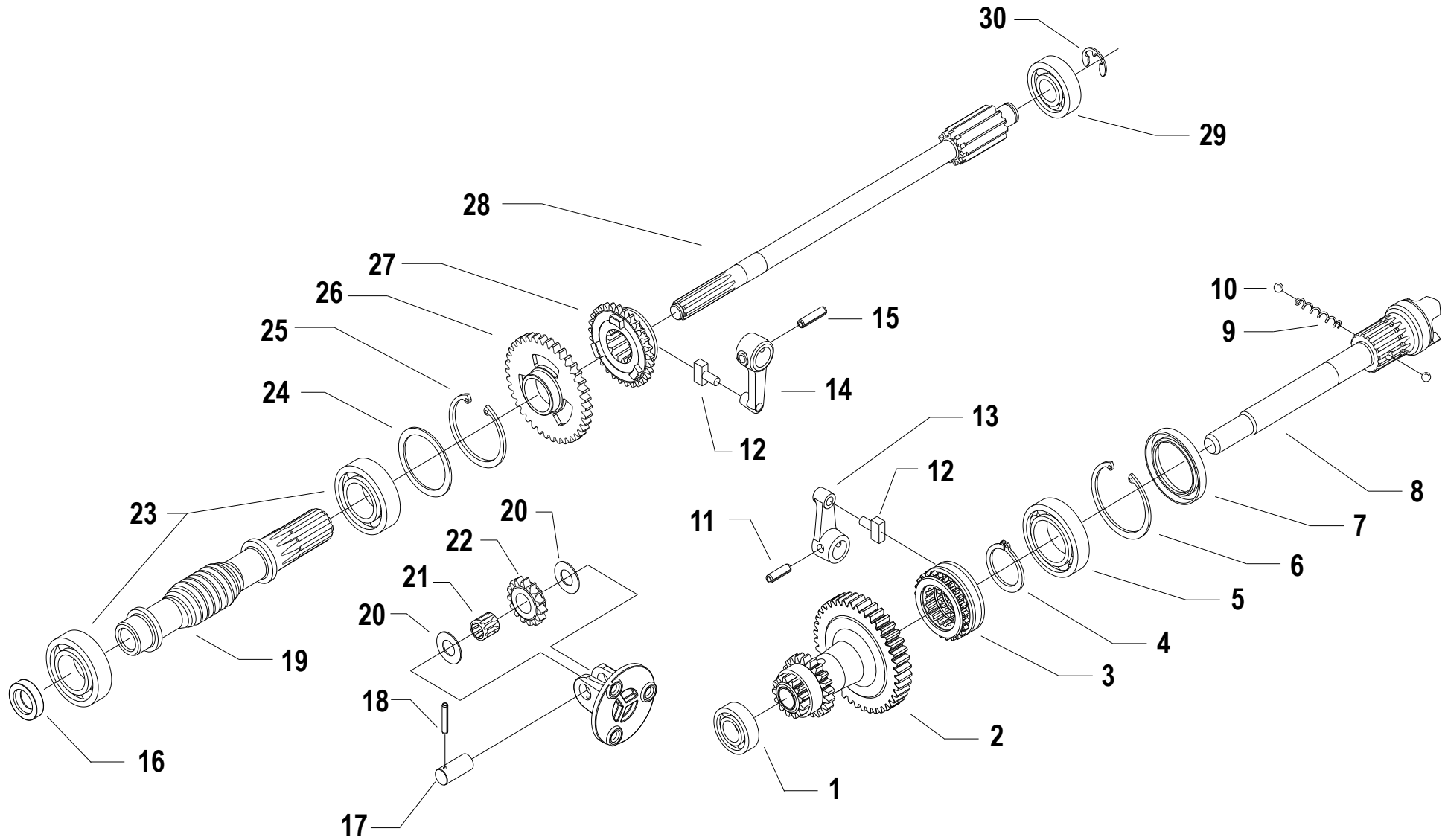
10/2008

Rev.

ZENNE

Pos.	Code	Q.ty	Description	Notes
58052019	58052019	1	DECAL	
58052026	58052026	1	DECAL	
58052029	58052029	1	DECAL	
58052037	58052037	1	DECAL	
58052039	58052039	1	DECAL	
58052045	58052045	1	DECAL	
58052046	58052046	1	DECAL	
58052047	58052047	1	DECAL	
58052156	58052156	1	DECAL	

GEARS



Pos.	Code	Q.ty	Description	Notes
1	37111150		BEARING	
2	59056395		ALBERO CAMBIO COMPLETO H	Replaces 59056378 + 52456362
3	52456706		PTO COUPLING	Replaces 59056378 + 52456362
4	35121031		SEEGER RING E 30 UNI 7436	
5	37112229		BEARING	
6	35111055		SEEGER RING I 55 DIN 472	
7	38213800		OIL SEAL 38X55X7	
8	52456335		PTO SHAFT	
9	58056391		SPRING	
10	37910832		BALL 1/4	
11	34213061		ROLL PIN	
12	58043086		SHOE	
13	52456390		LEVER	
14	52456389		LEVER	
15	34213060		ROLL PIN	
16	38211500		OIL SEAL 15X28X7	
17	56456350		GEAR PIN	
18	34211025		ROLL PIN	
19	56456475		SCREW	
20	56356348		ADJUSTING RING	
21	37320120		ROLLER CAGE 12X15/10	
22	56456347		GEAR	
23	37111255		BEARING	
24	56356328		ADJUSTING RING SP=1,5	
24	56356329		ADJUSTING RING SP=1,6	
24	56356330		ADJUSTING RING SP=1,7	
24	56356331		ADJUSTING RING SP=1,8	
25	35111052		SEEGER RING I 52 DIN 472	
26	52456354		GEAR	
27	52456356		SLIDER	
28	52456339		SHAFT	
29	37111152		BEARING	
30	35211120		SEEGER RING E 12 UNI 7434	

SPARE PARTS INSTANCE INDEX





SPARE PARTS INSTANCE INDEX

Code	Parts Table	Pos.	Q.ty	Code	Parts Table	Pos.	Q.ty	Code	Parts Table	Pos.	Q.ty
30010103	I01_0_27345	30010103	1	31211080	D01_1_33518	31211080	1	31312088	D01_2_60564	31312088	1
	I01_1_60774	30010103	1		D01_2_60564	31211080	1	31312094	E01_0_27146	31312094	1
30040001	E01_0_27146	30040001	1		I01_0_27345	31211080	1	31312102	G01_0_27251	31312102	1
30040133	E01_0_27146	30040133	1		I01_1_60774	31211080	1		K01_0_27513	31312102	1
31100003	D01_0_27123	31100003	1	31211100	G01_0_27251	31211100	1		K01_1_60913	31312102	1
	D01_1_33518	31100003	1		K01_0_27513	31211100	1	31312124	E01_0_27146	31312124	1
	D01_2_60564	31100003	1		K01_1_60913	31211100	1	31312125	E01_0_27146	31312125	1
31100015	D01_0_27123	31100015	1	31221121	E01_0_27146	31221121	1	31411043	I01_0_27345	31411043	1
	D01_1_33518	31100015	1	31241060	C01_0_27103	31241060	1		I01_1_60774	31411043	1
	D01_2_60564	31100015	1		C01_1_60543	31241060	1	31411064	C01_0_27103	31411064	1
31111086	I01_0_27345	31111086	1		I01_0_27345	31241060	1		C01_1_60543	31411064	1
	I01_1_60774	31111086	1		I01_1_60774	31241060	1		I01_0_27345	31411064	1
31111090	E01_0_27146	31111090	1	31241080	C01_0_27103	31241080	1		I01_1_60774	31411064	1
31111097	I01_0_27345	31111097	1		C01_1_60543	31241080	1	31411084	C01_0_27103	31411084	1
	I01_1_60774	31111097	1		D01_1_33518	31241080	1		C01_1_60543	31411084	1
31112089	I01_0_27345	31112089	1		D01_2_60564	31241080	1	31411104	J01_0_27436	31411104	1
	I01_1_60774	31112089	1		E01_0_27146	31241080	1	31414130	J01_0_27436	31414130	1
31112150	J01_0_27436	31112150	1		I01_0_27345	31241080	1	31421083	E01_0_27146	31421083	1
31112153	I01_0_27345	31112153	1		I01_1_60774	31241080	1		J01_0_27436	31421083	1
	I01_1_60774	31112153	1		J01_0_27436	31241080	1	31421130	G01_0_27251	31421130	1
31112154	C01_0_27103	31112154	1	31241085	E01_0_27146	31241085	1		H01_0_27294	31421130	1
	C01_1_60543	31112154	1		J01_0_27436	31241085	1	31421132	J01_0_27436	31421132	1
31112217	H01_0_27294	31112217	1	31241100	H01_0_27294	31241100	1	31422064	E01_0_27146	31422064	1
	I01_0_27345	31112217	1		I01_0_27345	31241100	1	31423043	I01_0_27345	31423043	1
	I01_1_60774	31112217	1		I01_1_60774	31241100	1		I01_1_60774	31423043	1
31112294	H01_0_27294	31112294	1	31241120	G01_0_27251	31241120	1	31423084	D01_0_27123	31423084	1
31121558	C01_0_27103	31121558	1		H01_0_27294	31241120	1		D01_1_33518	31423084	1
	C01_1_60543	31121558	1	31312082	E01_0_27146	31312082	1		D01_2_60564	31423084	1
31132562	E01_0_27146	31132562	1		J01_0_27436	31312082	1		E01_0_27146	31423084	1
31152103	E01_0_27146	31152103	1	31312083	D01_1_33518	31312083	1		I01_0_27345	31423084	1
31201212	J01_0_27436	31201212	1		D01_2_60564	31312083	1		I01_1_60774	31423084	1
31211040	I01_0_27345	31211040	1	31312086	E01_0_27146	31312086	1		J01_0_27436	31423084	1
	I01_1_60774	31211040	1	31312088	D01_0_27123	31312088	1	31423105	D01_0_27123	31423105	1
31211080	D01_0_27123	31211080	1		D01_1_33518	31312088	1		D01_1_33518	31423105	1



SPARE PARTS INSTANCE INDEX

Code	Parts Table	Pos.	Q.ty	Code	Parts Table	Pos.	Q.ty	Code	Parts Table	Pos.	Q.ty
31423105	D01_2_60564	31423105	1	35211120	F.01.02.A0027_01	30		39115010	K01_0_27513	39115010	1
	G01_0_27251	31423105	1		F01_0_27176	35211120	1		K01_1_60913	39115010	1
	H01_0_27294	31423105	1	37111150	F.01.02.A0027_01	1		39115012	K01_0_27513	39115012	1
	I01_0_27345	31423105	1		F01_0_27176	37111150	1		K01_1_60913	39115012	1
	I01_1_60774	31423105	1	37111152	F.01.02.A0027_01	29		39116018	K01_1_60913	39116018	1
	K01_0_27513	31423105	1		F01_0_27176	37111152	1	39413502	K01_0_27513	39413502	1
	K01_1_60913	31423105	1	37111250	F01_0_27176	37111250	1		K01_1_60913	39413502	1
31423130	E01_0_27146	31423130	1		G01_0_27251	37111250	1	39414008	K01_0_27513	39414008	1
31510099	C01_0_27103	31510099	1	37111255	F.01.02.A0027_01	23			K01_1_60913	39414008	1
	C01_1_60543	31510099	1	37112173	D01_0_27123	37112173	1	39414010	K01_0_27513	39414010	1
31510100	C01_0_27103	31510100	1		D01_1_33518	37112173	1		K01_1_60913	39414010	1
	C01_1_60543	31510100	1		D01_2_60564	37112173	1	39415010	K01_0_27513	39415010	1
34110028	J01_0_27436	34110028	1	37112229	F.01.02.A0027_01	5			K01_1_60913	39415010	1
34211025	F.01.02.A0027_01	18			F01_0_27176	37112229	1	39415012	K01_0_27513	39415012	1
	F01_0_27176	34211025	1	37112231	D01_0_27123	37112231	1		K01_1_60913	39415012	1
34211028	H01_0_27294	34211028	1	37112233	D01_0_27123	37112233	1	39416018	K01_1_60913	39416018	1
34211041	H01_0_27294	34211041	1	37320120	F.01.02.A0027_01	21		50956262	D01_0_27123	50956262	1
34213020	J01_0_27436	34213020	1		F01_0_27176	37320120	1		D01_1_33518	50956262	1
34213022	J01_0_27436	34213022	1	37910832	F.01.02.A0027_01	10			D01_2_60564	50956262	1
34213024	J01_0_27436	34213024	1		F01_0_27176	37910832	1	52357250	J01_0_27436	52357250	1
34213060	F.01.02.A0027_01	15		37911532	J01_0_27436	37911532	1	52447896	D01_0_27123	52447896	1
	F01_0_27176	34213060	1	38111191	J01_0_27436	38111191	1		D01_1_33518	52447896	1
34213061	F.01.02.A0027_01	11		38211400	J01_0_27436	38211400	1		D01_2_60564	52447896	1
	F01_0_27176	34213061	1	38211500	F.01.02.A0027_01	16		52456335	F.01.02.A0027_01	8	
	J01_0_27436	34213061	1		F01_0_27176	38211500	1		F01_0_27176	52456335	1
34221070	H01_0_27294	34221070	1	38212501	G01_0_27251	38212501	1	52456339	F.01.02.A0027_01	28	
34311060	G01_0_27251	34311060	1	38213800	F.01.02.A0027_01	7			F01_0_27176	52456339	1
35111052	F.01.02.A0027_01	25			F01_0_27176	38213800	1	52456354	F.01.02.A0027_01	26	
	F01_0_27176	35111052	1	39113502	K01_0_27513	39113502	1		F01_0_27176	52456354	1
	G01_0_27251	35111052	1		K01_1_60913	39113502	1	52456356	F.01.02.A0027_01	27	
35111055	F.01.02.A0027_01	6		39114008	K01_0_27513	39114008	1		F01_0_27176	52456356	1
	F01_0_27176	35111055	1		K01_1_60913	39114008	1	52456362	F01_0_27176	52456362	1
35121031	F.01.02.A0027_01	4		39114010	K01_0_27513	39114010	1	52456389	F.01.02.A0027_01	14	
	F01_0_27176	35121031	1		K01_1_60913	39114010	1		F01_0_27176	52456389	1



SPARE PARTS INSTANCE INDEX

Code	Parts Table	Pos.	Q.ty	Code	Parts Table	Pos.	Q.ty	Code	Parts Table	Pos.	Q.ty
52456390	F.01.02.A0027_01	13		55252405	C01_1_60543	55252405	1	56157283	J01_0_27436	56157283	1
	F01_0_27176	52456390	1	55252406	C01_0_27103	55252406	1	56157323	J01_0_27436	56157323	1
52456706	F.01.02.A0027_01	3			C01_1_60543	55252406	1	56157393	C01_0_27103	56157393	1
53143712	K01_0_27513	53143712	1	55252413	C01_1_60543	55252413	1		C01_1_60543	56157393	1
	K01_1_60913	53143712	1	55252415	C01_0_27103	55252415	1	56157394	E01_0_27146	56157394	1
53152401	E01_0_27146	53152401	1		C01_1_60543	55252415	1	56157399	C01_0_27103	56157399	1
53152408	E01_0_27146	53152408	1	55257313	J01_0_27436	55257313	1		C01_1_60543	56157399	1
53152409	E01_0_27146	53152409	1	55257321	J01_0_27436	55257321	1	56343058	G01_0_27251	56343058	1
53152410	E01_0_27146	53152410	1	56143059	G01_0_27251	56143059	1	56347484	D01_0_27123	56347484	1
53152412	E01_0_27146	53152412	1	56147655	I01_0_27345	56147655	1	56351685	H01_0_27294	56351685	1
53156150	D01_0_27123	53156150	1		I01_1_60774	56147655	1	56356251	D01_0_27123	56356251	1
	D01_1_33518	53156150	1	56147711	I01_0_27345	56147711	1	56356328	F.01.02.A0027_01	24	
	D01_2_60564	53156150	1		I01_1_60774	56147711	1		F01_0_27176	56356328	1
53156346	E01_0_27146	53156346	1	56147845	D01_1_33518	56147845	1	56356329	F.01.02.A0027_01	24	
53247488	D01_0_27123	53247488	1		D01_2_60564	56147845	1		F01_0_27176	56356329	1
	D01_1_33518	53247488	1	56147923	E01_0_27146	56147923	1	56356330	F.01.02.A0027_01	24	
	D01_2_60564	53247488	1	56148037	I01_0_27345	56148037	1		F01_0_27176	56356330	1
54143090	G01_0_27251	54143090	1		I01_1_60774	56148037	1	56356331	F.01.02.A0027_01	24	
55102678	E01_0_27146	55102678	1	56150361	I01_0_27345	56150361	1		F01_0_27176	56356331	1
55142076	J01_0_27436	55142076	1		I01_1_60774	56150361	1	56356348	F.01.02.A0027_01	20	
55147842	D01_1_33518	55147842	1	56152403	E01_0_27146	56152403	1		F01_0_27176	56356348	1
	D01_2_60564	55147842	1	56156276	D01_0_27123	56156276	1	56456347	F.01.02.A0027_01	22	
55157609	D01_0_27123	55157609	1		D01_1_33518	56156276	1		F01_0_27176	56456347	1
	D01_1_33518	55157609	1	56156281	D01_2_60564	56156276	1	56456350	F.01.02.A0027_01	17	
	D01_2_60564	55157609	1		D01_0_27123	56156281	1		F01_0_27176	56456350	1
55242528	J01_0_27436	55242528	1		D01_1_33518	56156281	1	56456475	F.01.02.A0027_01	19	
55243340	I01_0_27345	55243340	1		D01_2_60564	56156281	1		F01_0_27176	56456475	1
	I01_1_60774	55243340	1	56156284	D01_1_33518	56156284	1	58002429	I01_0_27345	58002429	1
55248041	I01_0_27345	55248041	1		D01_2_60564	56156284	1		I01_1_60774	58002429	1
	I01_1_60774	55248041	1	56156285	D01_1_33518	56156285	1	58002538	I01_0_27345	58002538	1
55248379	J01_0_27436	55248379	1		D01_2_60564	56156285	1		I01_1_60774	58002538	1
55251686	H01_0_27294	55251686	1	56157234	J01_0_27436	56157234	1	58020258	J01_0_27436	58020258	1
55251688	H01_0_27294	55251688	1	56157271	J01_0_27436	56157271	1	58042167	I01_0_27345	58042167	1
55252405	C01_0_27103	55252405	1	56157282	J01_0_27436	56157282	1		I01_1_60774	58042167	1



SPARE PARTS INSTANCE INDEX

Code	Parts Table	Pos.	Q.ty	Code	Parts Table	Pos.	Q.ty	Code	Parts Table	Pos.	Q.ty
58042202	I01_0_27345	58042202	1	58052045	M02_1_60983	58052045	1	58057676	M01_1_60965	58057676	1
	I01_1_60774	58042202	1	58052046	M02_0_27566	58052046	1	58057677	M01_0_27555	58057677	1
58042219	H01_0_27294	58042219	1		M02_1_60983	58052046	1		M01_1_60965	58057677	1
58043053	E01_0_27146	58043053	1	58052047	M02_1_60983	58052047	1	58057678	M01_0_27555	58057678	1
58043086	F.01.02.A0027_01	12		58052156	M02_0_27566	58052156	1		M01_1_60965	58057678	1
	F01_0_27176	58043086	1		M02_1_60983	58052156	1	58057688	M01_0_27555	58057688	1
58043117	E01_0_27146	58043117	1	58052288	K01_1_60913	58052288	1		M01_1_60965	58057688	1
58046912	M01_0_27555	58046912	1	58052326	K01_0_27513	58052326	1	58057704	M01_1_60965	58057704	1
	M01_1_60965	58046912	1		K01_1_60913	58052326	1	58057724	M01_0_27555	58057724	1
58047629	I01_0_27345	58047629	1	58052327	K01_0_27513	58052327	1		M01_1_60965	58057724	1
	I01_1_60774	58047629	1		K01_1_60913	58052327	1	58057746	M01_1_60965	58057746	1
58047712	I01_0_27345	58047712	1	58052328	K01_0_27513	58052328	1	58057748	M01_1_60965	58057748	1
	I01_1_60774	58047712	1		K01_1_60913	58052328	1	58057767	M01_0_27555	58057767	1
58048000	I01_0_27345	58048000	1	58056154	I01_0_27345	58056154	1		M01_1_60965	58057767	1
	I01_1_60774	58048000	1		I01_1_60774	58056154	1	58057768	M01_0_27555	58057768	1
58048009	I01_0_27345	58048009	1	58056155	I01_0_27345	58056155	1		M01_1_60965	58057768	1
	I01_1_60774	58048009	1		I01_1_60774	58056155	1	58057770	M01_0_27555	58057770	1
58048012	I01_0_27345	58048012	1	58056391	F.01.02.A0027_01	9			M01_1_60965	58057770	1
	I01_1_60774	58048012	1		F01_0_27176	58056391	1	58057772	M01_0_27555	58057772	1
58048035	C01_0_27103	58048035	1	58056593	I01_0_27345	58056593	1		M01_1_60965	58057772	1
	C01_1_60543	58048035	1		I01_1_60774	58056593	1	58093089	M01_1_60965	58093089	1
58051670	I01_0_27345	58051670	1	58056991	C01_0_27103	58056991	1	58147704	I01_0_27345	58147704	1
	I01_1_60774	58051670	1		C01_1_60543	58056991	1		I01_1_60774	58147704	1
58052019	M02_0_27566	58052019	1	58057232	J01_0_27436	58057232	1	58150313	I01_0_27345	58150313	1
	M02_1_60983	58052019	1	58057266	H01_0_27294	58057266	1		I01_1_60774	58150313	1
58052026	M02_0_27566	58052026	1	58057385	C01_0_27103	58057385	1	58156156	I01_0_27345	58156156	1
	M02_1_60983	58052026	1		C01_1_60543	58057385	1		I01_1_60774	58156156	1
58052029	M02_0_27566	58052029	1	58057401	I01_0_27345	58057401	1	59015425	E01_0_27146	59015425	1
	M02_1_60983	58052029	1		I01_1_60774	58057401	1	59043063	G01_0_27251	59043063	1
58052037	M02_0_27566	58052037	1	58057419	I01_1_60774	58057419	1	59047709	I01_0_27345	59047709	1
	M02_1_60983	58052037	1	58057450	M01_1_60965	58057450	1		I01_1_60774	59047709	1
58052039	M02_0_27566	58052039	1	58057451	M01_1_60965	58057451	1	59052247	H01_0_27294	59052247	1
	M02_1_60983	58052039	1	58057625	M01_1_60965	58057625	1	59053021	C01_0_27103	59053021	1
58052045	M02_0_27566	58052045	1	58057676	M01_0_27555	58057676	1		C01_1_60543	59053021	1



SPARE PARTS INSTANCE INDEX

Code	Parts Table	Pos.	Q.ty
59053040	C01_0_27103	59053040	1
	C01_1_60543	59053040	1
59053221	C01_0_27103	59053221	1
	C01_1_60543	59053221	1
59056258	E01_0_27146	59056258	1
59056378	F01_0_27176	59056378	1
59056395	F.01.02.A0027_01	2	
59056900	J01_0_27436	59056900	1
59056905	J01_0_27436	59056905	1
59057112	I01_0_27345	59057112	1
	I01_1_60774	59057112	1
59057228	J01_0_27436	59057228	1
59057325	J01_0_27436	59057325	1
59247884	D01_0_27123	59247884	1
	D01_1_33518	59247884	1
	D01_2_60564	59247884	1
59247924	D01_1_33518	59247924	1
	D01_2_60564	59247924	1
59247971	D01_1_33518	59247971	1
	D01_2_60564	59247971	1
59256255	D01_1_33518	59256255	1
	D01_2_60564	59256255	1
59256275	D01_0_27123	59256275	1
	D01_1_33518	59256275	1
	D01_2_60564	59256275	1
59256279	D01_0_27123	59256279	1
	D01_1_33518	59256279	1
	D01_2_60564	59256279	1
59256280	D01_0_27123	59256280	1
	D01_1_33518	59256280	1
	D01_2_60564	59256280	1
92243685	K01_0_27513	92243685	1
	K01_1_60913	92243685	1
92243686	K01_0_27513	92243686	1

Code	Parts Table	Pos.	Q.ty
92243686	K01_1_60913	92243686	1
92248715	K01_0_27513	92248715	1
	K01_1_60913	92248715	1
92248720	K01_0_27513	92248720	1
	K01_1_60913	92248720	1
92480721	K01_1_60913	92480721	1
F0831193010	J01_0_27436	F0831193	1